

WATER TREATMENT

Pumps & Accessories - Aquatec & Nuert

Aquatec Pumps - Permeate Pumps



PAM1000 PERMEATE PUMP / PAM500 PERMEATE PUMP



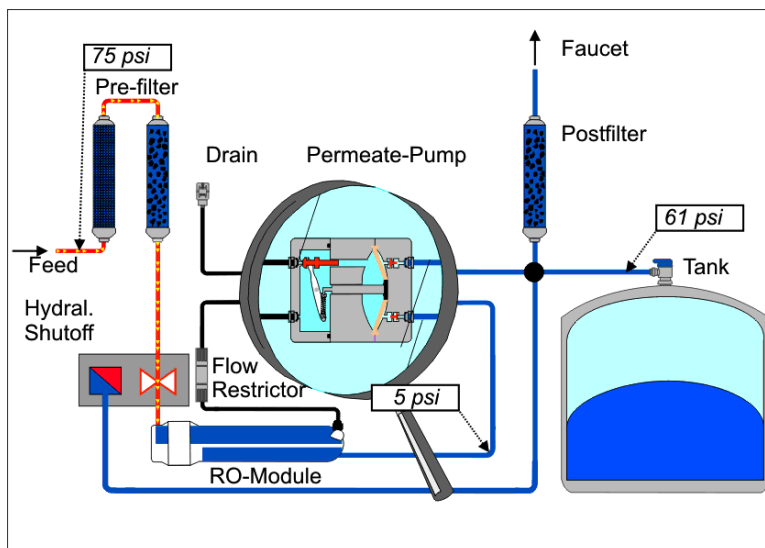
BENEFITS TO YOUR SYSTEM

- No loss of recovery during filling cycle
- Requires no electricity
- Pump powered by energy from brine normally lost to the drain
- Better water quality out of the System
- New applications w/ > 1000 l/day can use the double Permeate Pump Technology
- Faster production against tank pressure
- Can replace industrial systems used in commercial applications
- Saves up to 85% of the Water that normally goes down the drain
- Allows smaller capacity membranes
- Saves up to 85% of your Pre-filter and Booster pump life
- Prevents "membrane TDS creep"
- Allows up to line pressure in your tank
- Allows you to use smaller system components

With its revolutionary design, the PAM1000/PAM500 Permeate Pump from Aquatec performs like no other pump. Designed to use the energy of the brine water of your RO system to pump the permeate into your pressure tank. It does not require any electricity for that. It just uses hydraulic energy that normally goes to the drain unused. This process effectively reduces the membrane back pressure to less than 5 psi, and allows the membrane to take full advantage of the available feed pressure, greatly increasing efficiency and dramatically reducing the waste water.

The Permeate Pump's advanced technology isolates your tank from the membrane and lets your membrane perform like in an atmospheric tank system. It is capable of bringing the product water holding tank up to line pressure and shutting the system down when the tank reaches full capacity. This function results in higher delivery pressure, more available water, superior water quality and extended filter and membrane life.

The Permeate Pump is effective with RO membranes rated up to 120 GPD and when combined with the 8800 series booster pump, your system will rival the production capacity of most 200 GPD commercial RO systems with a fraction of the noise level and significantly lower cost.





PRECISION
INSTALLATION
PRODUCTS



aquatec

WATER TREATMENT

Pumps & Accessories - Aquatec & Nuert

Aquatec Pumps - Permeate Pumps

PERMEATE PUMP



<u>PART NUMBER</u>	<u>ITEM DESCRIPTION</u>
PAM1000	AQUATEC PERMEATE PUMP W/ 1/4"JG INSERTS - FOR USE W/ 100 GPD MEMBRANES
PAM500	AQUATEC PERMEATE PUMP W/ 1/4"JG INSERTS - FOR USE W/ 50 GPD MEMBRANES

PERMEATE PUMP MOUNTING CLIP & SCREWS



<u>PART NUMBER</u>	<u>ITEM DESCRIPTION</u>
PAMC	AQUATEC PERMEATE PUMP MOUNTING CLIP - SURFACE MOUNT
PAMC SCREWS	AQUATEC PERMEATE PUMP SCREWS - # 10-3/4" PH SM SS

AQUATEC SS MANDRIL SPRING



<u>PART NUMBER</u>	<u>ITEM DESCRIPTION</u>
10-274	AQUATEC SS MANDRIL SPRING FOR PAM500
13-038	AQUATEC SS MANDRIL SPRING FOR PAM1000

WATER TREATMENT

Pumps & Accessories - Aquatec & Nuert

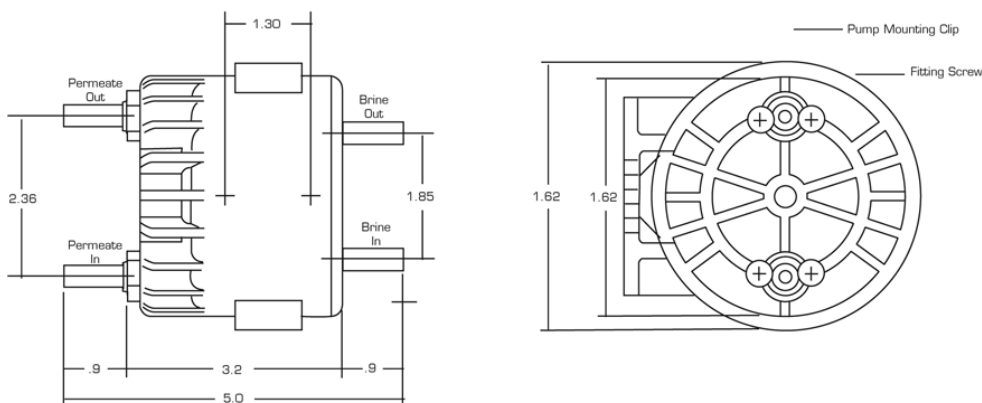
Aquatec Pumps - Permeate Pumps



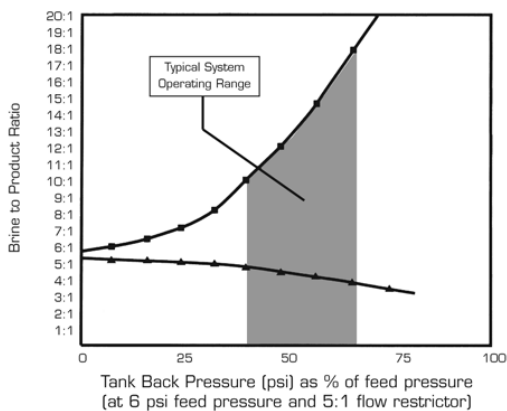
TECHNICAL SPECIFICATIONS - PAM1000 PERMEATE PUMP

- PART NUMBER: ERP 1000
- PUMP DESIGN: "Positive displacement, reciprocating, single action diaphragm, hydraulically driven
- WEIGHT: 1 lb.
- WETTED MATERIALS - PERMEATE SIDE: NSF listed and FDA approved thermoplastic, EPDM
- NON-WETTED MATERIAL: Stainless Steel, Polypropylene
- FITTINGS: 1/4" Quick Connect push-in
- MOUNTING: Always mount pump with outlet ports up. Mounting clip (PAMC) with (2) #10 S.S. screws available.

FIGURE 1. PERMEATE PUMP DIMENSIONS



PAM1000 PERFORMANCE CURVE





PRECISION
INSTALLATION
PRODUCTS



aquatec

WATER TREATMENT

Pumps & Accessories - Aquatec & Nuert

Aquatec Pumps - Permeate Pumps

PERFORMANCE - FILL RATE @ 60 PSI FEED

<u>PRODUCT</u>		<u>TIME TO FILL</u>	
Qty (ml)	Tank psi	With Perm. Pump	W/O Pump
4989 ml	60 psi	1hr. 13min.	
4232 ml	40 psi		1hr. 42min.
300 ml	60 psi	7min.	
1047 ml	60 psi	22.5min.	
1800 ml	40 psi		1.1hrs.

Data shown in graph above shows strong advantage of Permeate Pump in tank pressure achieved, time to completely fill the tank, and total amount of water: Permeate Pump allows 50% greater tank pressure (60 psi vs 40 psi), 18% more water (4989 ml vs 4232 ml), in 28% less time (1:13 min vs 1:42 min).

The last three lines in the chart show a significant benefit for the Permeate Pump in withdrawal of small amounts of water. A glass full (10.6 oz) takes 7 minutes to refill with a permeate system. Six cups (36.9 oz), enough for a pot of coffee is replenished in 22.5 minutes with the Permeate Pump. 1800 ml (or 63.5 oz) must be withdrawn from a conventional system to allow the hydraulic shut off valve to reopen allowing the system to refill. It takes 62 min. to replenish 1800 ml, a 176% increase in time to refill.

PERFORMANCE - FILL RATE @ 30 PSI FEED

<u>PRODUCT</u>		<u>TIME TO FILL</u>	
Qty (ml)	Tank psi	With Perm. Pump	W/O Pump
2947 ml	24 psi	2hr. 10 min.	
2636 ml	22 psi		4hr. 41min.
300 ml	24 psi	15min.	
1047 ml	24 psi	35min.	
**	22 psi		4.20hrs.

Data shown in graph above shows strong advantage of Permeate Pump for low feed water pressures. Per-meate Pump allows slightly more tank pressure (24 psi vs 22 psi), 12% more water (2947 ml vs 2636 ml), in less than half the time (2:10 min vs 4:41 min). The last three lines in the chart shows a huge benefit for the Permeate Pump in withdrawal of small amounts of water. A glass full (10.6 oz) takes 15 minutes to refill with the Permeate system. Six cups (36.9 oz), enough for a pot of coffee is replenished in 35 minutes with the Permeate Pump.

No Data was taken to determine quantity that must be withdrawn from a conventional system to allow the hydraulic shut off valve to reopen allowing the system to refill, although it was observed that the product tank pressure fell 11 psi before refill commenced. It then took 4 hours 20 min. to completely refill the tank, or 800% increase in time to refill.

WATER TREATMENT

Pumps & Accessories - Aquatec & Nuert

Aquatec Pumps - Permeate Pumps

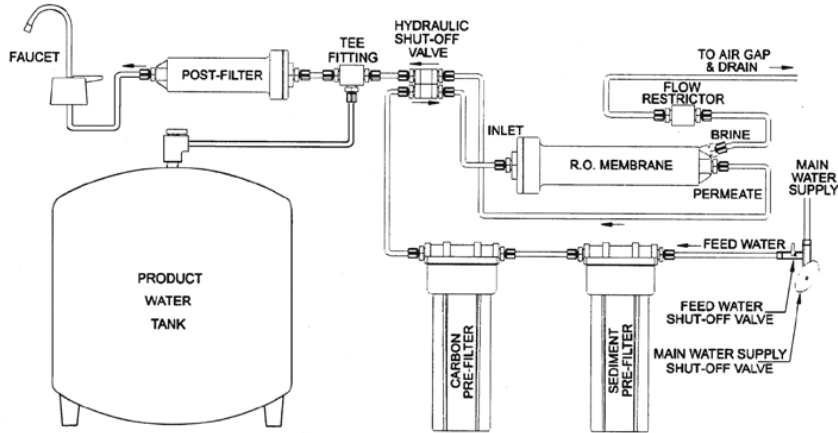


Figure 1. Typical R.O. System before installation of Permeate Pump.

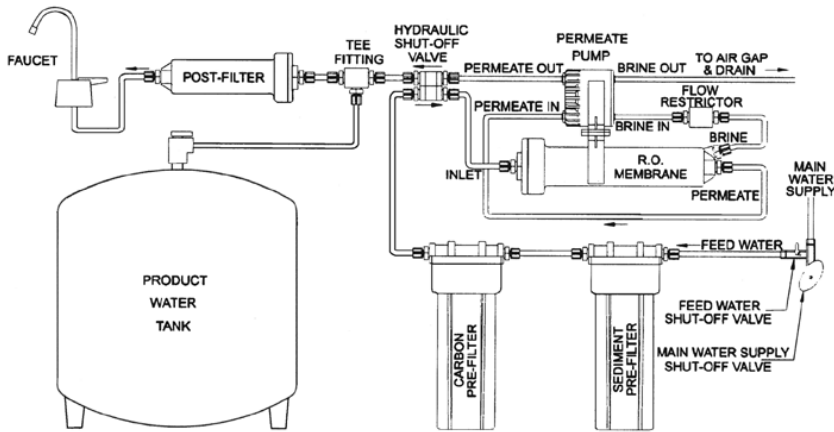


Figure 2. Typical R.O. System after installation of Permeate Pump with hydraulic shut-off valve that uses 1/8" Female pipe thread connections - Part# PAMASV

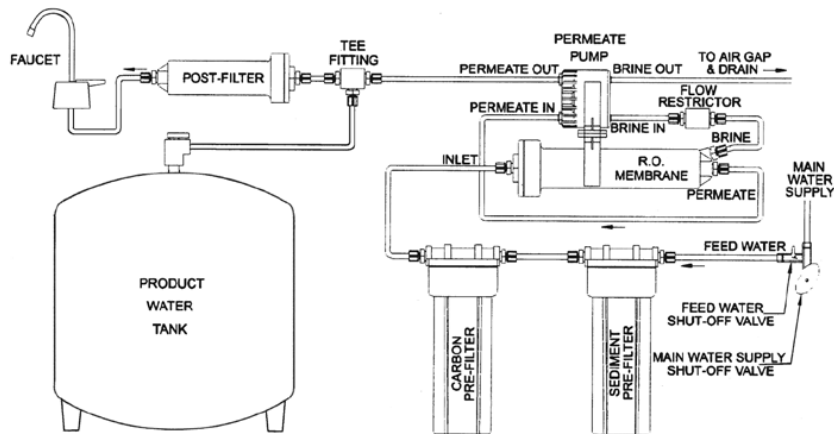


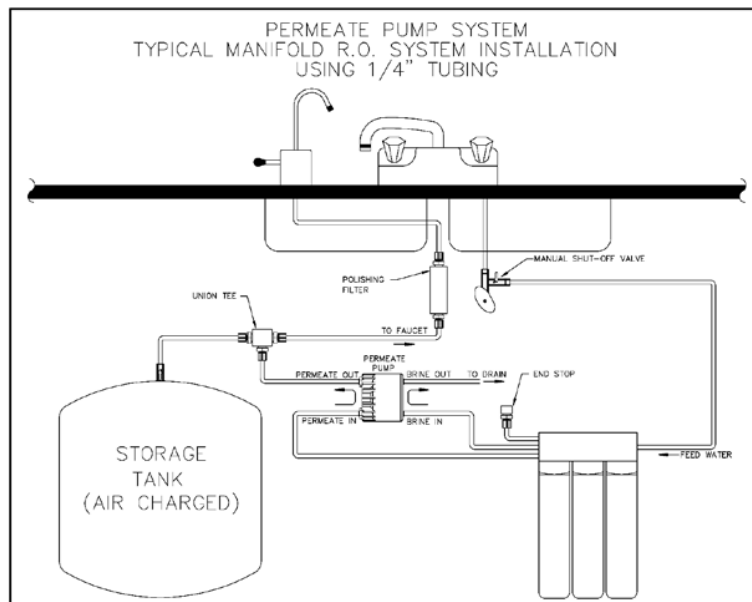
Figure 3. Typical R.O. System after installation of Permeate Pump without hydraulic shut-off valve.

INSTALLATION OF PERMEATE PUMP MANIFOLD RO SYSTEM USNG 1/4" TUBING

1. The Permeate Pump is equipped with 1/4" John Guest push-to-connect fittings. To install, position the pump as shown, cut the tubing, and push in to the appropriate ports per the following directions.
2. The tubing leading to the faucet must be cut, and terminated using an End Stop. The internal polishing filter is now by-passed.
3. Cut the tubing leading to the tank and re-route from the manifold to the permeate in port of the pump. The other end should be inserted into the permeate out port, connecting the tank with the pump. The outlet ports of the Permeate Pump should always be above the inlet ports in order to allow entrapped air to escape.
4. Cut the tubing between the pump and tank so that a 1/4" Union Tee can be added. The middle branch will attach to the previously cut faucet tubing, or new tubing can be added.
5. Add a polishing filter as shown by cutting the tubing between the tee and the faucet, and insert into the filter's 1/4" push-to-connect fittings.
6. Finally, cut the tubing leading to the drain and re-route from the manifold to the brine in port. Attach the drain tubing to the brine out port.

B.O.M.:

1 each Permeate Pump	P/N PAM1000 OR PAM500
1 each Permeate Mounting Clip	P/N PAMC
1 each 1/4" End Stop	P/N LEG46-4
1 each 1/4" Union Tee	P/N LEG02-4
1 each Polishing Filter	P/N P2333-4JG



WATER TREATMENT

Pumps & Accessories - Aquatec & Nuert

Aquatec Pumps - Permeate Pumps

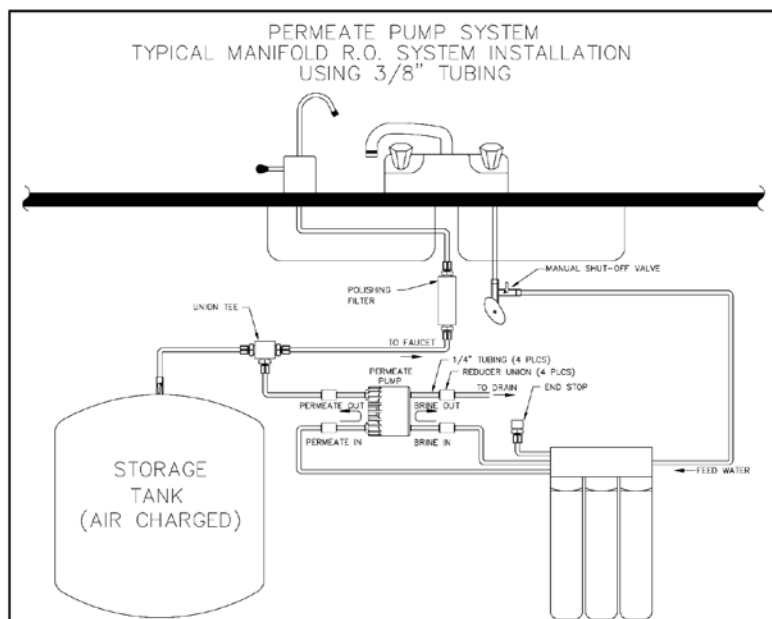


INSTALLATION OF PERMEATE PUMP MANIFOLD RO SYSTEM USING 3/8" TUBING

1. The Permeate Pump is equipped with 1/4" push-to-connect fittings. The pump can be used in R.O. systems with 3/8" tubing by installing a short piece of 1/4" tubing into each port, and attaching a 3/8" x 1/4" Reducer Union to each of the 4 pieces of tubing.
2. The tubing leading to the faucet must be cut and terminated using an End Stop. The internal polishing filter is now by-passed.
3. Cut the 3/8" tubing leading to the tank and re-route from the manifold to the permeate in port of the pump. The other end should be inserted into the permeate out port, connecting the tank with the pump. The outlet ports of the Permeate Pump should always be above the inlet ports in order to allow entrapped air to escape.
4. Cut the tubing between the pump and tank so that a Union Tee can be added. The middle branch will attach to the previously cut faucet tubing, or new tubing can be added.
5. Add a polishing filter to the system as shown by cutting the tubing between the tee and the faucet, and insert into the filter's 3/8" push-to-connect fittings.
6. Finally, cut the 3/8" tubing leading to the drain and re-route from the manifold to the brine in port. Attach the drain tubing to the brine out port.

B.O.M.:

1 each Permeate Pump	P/N PAM1000 OR PAM500
1 each Permeate Mounting Clip	P/N PAMC
4 each Reducer Union	P/N LEG20-6-4
4 each 1/4" tubing, 1 1/2" long	
1 each End Stop	P/N LEG46-6
1 each Union Tee	P/N LEGSV6-6LG
1 each Polishing Filter	P/N P2333-6JG





PRECISION
INSTALLATION
PRODUCTS



aquatec

WATER TREATMENT

Pumps & Accessories - Aquatec & Nuert

Aquatec Pumps - Low Flow Booster Pumps

BOOSTER PUMPS

PAB6800 SERIES LOW FLOW BOOSTER PUMP

DISTINGUISHING FEATURES:

- Toughest, most durable pump on the market
- Adjustable max. outlet psi.(regardless of feed pressure)
- Expels trapped air (no more air locks)
- Can be mounted with pump head up or horizontal
- More flow at extremely low inlet pressures
- New motor venting system to remove moisture
- EMI/RFI electronic noise suppression
- 100% final performance tested
- Available in 12VDC and 24VDC



PAB6840-2J03-B221

The 6800 Series is intended for use with RO membranes rated up to 50 GPD. Close tolerances within the pump head and motor, give a lower amp draw; lower operating temperatures; smoother running; longer life; lower maintenance; and greater efficiencies.

It incorporates powder coated die cast alloy and a unique label sealing process to reduce exposure to moisture which is the major cause of motor failure. The pump is available with optional EMI/RFI electronic noise suppression to reduce TV reception interference. The PAB6800 Series is capable of operating in a warm, humid hostile environment where other pumps have been known to fail. It is the strongest, most durable pump available on the market today.

Standard flex mounting bracket is shown above. Optional steel or "H-shaped" universal brackets are also available.

WATER TREATMENT

Pumps & Accessories - Aquatec & Nuert

Aquatec Pumps - Low Flow Booster Pumps



PAB6800 SERIES LOW FLOW BOOSTER PUMP

KEY OPERATIONAL BENEFITS

- Boosts pressure 40 to 120 psi (adjustable)
- Fixed pressures to 160 psi
- Up to 30,000+ operating hours
- Whisper quiet -- less than 45 DBA
- Can run dry without damage
- Self-priming -- 60" lift
- low voltage (12-24V) for maximum safety
- Corrosion resistant exterior
- Continuous or intermittent operation
- Available in 12VDC and 24VDC

TECHNICAL SPECIFICATIONS

OPERATION: The 6800 is designed to operate with a PAW tank shut-off switch for hydro-pneumatic storage systems. The PAW, when used with a typical undercounter R.O. system, can be augmented with an ESO, Electronic Shut-off Valve. It is also compatible with most hydraulic shut-off valves. For counter-top systems, Aquatec's TIC, Tank level Controllers, shut off feed water and the pump when the product water storage tank is full.

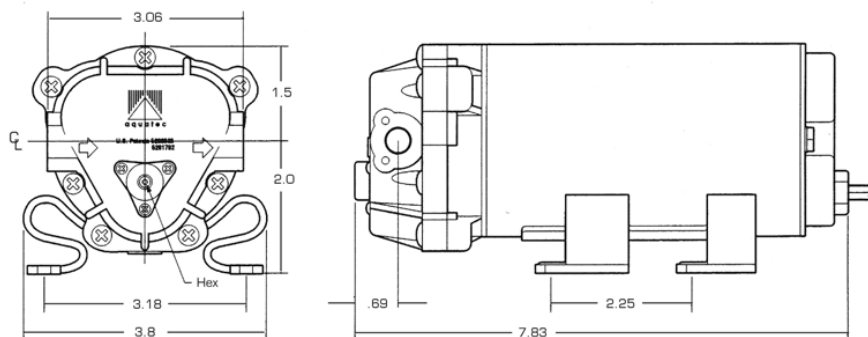
MOUNTING PIATES: The "S" Shaped Flex Bracket base plate is standard. The "Universal" base plate and "Steel" base plate are also available.

POWER: Pumps operate with low energy (only 14 watts), low voltage (12-24 volt) motors, powered with compatible transformers with world wide primary voltages available (100 VAC, 120 VAC, 230 VAC). Transformers are optional and must be ordered in addition to the pump.

FITTINGS: Built-in 1/4" Quick Connect half cartridge fittings eliminate need for external fittings as standard. It is also available with 3/8" built in Quick Connect half cartridges.

INSTALLATION: The location and positioning of the pump may affect its performance. Always consult the factory for recommendations that will optimize your system, if you have any concerns or questions.

Schematic of PAB6800 Series with a Flex Bracket



AQUATEC BOOSTER PUMPS - LOW FLOW (1/4" JG PORTS)



<u>PART NUMBER</u>	<u>ITEM DESCRIPTION</u>
PAB6840-2D12-E204	AQUATEC LF BOOSTER PUMP - 24VDC - 50 PSI BYPASS - 1/4"JG - STEEL - W/ EMI/RFI
PAB6840-2H03-B221	AQUATEC LF BOOSTER PUMP - 24VAC - 90 PSI BYPASS - 1/4"JG - FLEX
PAB6840-2J03-B203	AQUATEC LF BOOSTER PUMP - 24 VDC - 110 PSI BYPASS - 1/4" JG PORTS - UNIVERSAL BRACKET
PAB6840-2J03-B221	AQUATEC LF BOOSTER PUMP - 24VAC - 110PSI BYPASS - 1/4"JG - FLEX
PAB6840-2J03-B223	AQUATEC LF BOOSTER PUMP - 24VAC - 110PSI BYPASS - 1/4"JG - UNIVERSAL
PAB6840-2J03-B224	AQUATEC LF BOOSTER PUMP - 24VAC - 110PSI BYPASS - 1/4"JG - STEEL
PAB6840-2J03-V201	AQUATEC LF BOOSTER PUMP - 24VDC - 110 PSI BYPASS - 1/4"JG PORTS - FLEX BRACKET - LEAD WIRES W/ E...
PAB6840-2J03-V221	AQUATEC LF BOOSTER PUMP - 24VAC - 110PSI BYPASS - 1/4"JG - FLEX - W/ CONNECTORS - EMI/RFI
PAB6840-2J03-V223	AQUATEC LF BOOSTER PUMP - 24VAC - 110PSI BYPASS - 1/4"JG - UNIVERSAL - W/ CONNECTORS - EMI/RFI

<u>PART NUMBER</u>	<u>ITEM DESCRIPTION</u>
PAB6841-2G01-B204	AQUATEC LF BOOSTER PUMP - 24VDC - 80PSI BYPASS - 1/4"JG - STEEL BRKT
PAB6841-2G01-B224	AQUATEC LF BOOSTER PUMP - 24VAC - 80PSI BYPASS - 1/4"JG - STEEL BRKT
PAB6841-2H03-B221	AQUATEC LF BOOSTER PUMP - 24VAC - 90 PSI BYPASS - 1/4"JG - FLEX
PAB6841-2J03-B221	AQUATEC LF BOOSTER PUMP - 24VAC - 110PSI BYPASS - 1/4"JG - FLEX
PAB6841-2J03-B331	AQUATEC LF BOOSTER PUMP - 12VDC - 110PSI BYPASS - 1/4"JG - FLEX
PAB6841-2J03-B334	AQUATEC LF BOOSTER PUMP - 12VDC - 110PSI BYPASS - 1/4"JG - METAL
PAB6841-2J03-V201	AQUATEC LF BOOSTER PUMP - 24VDC - 110 PSI BYPASS - 1/4"JG - FLEX - LEAD WIRES W/ EMI/RFI
PAB6841-2J03-V221	AQUATEC LF BOOSTER PUMP - 24VAC - 110PSI BYPASS - 1/4"JG - FLEX - W/ CONNECTORS - EMI/RFI
PAB6841-2J63-B221	AQUATEC LF BOOSTER PUMP - 24VAC - 110PSI BYPASS - 1/4"JG - FLEX - VITON VALVES & O-RINGS
PAB6841-2P01-B331	AQUATEC LF MISTING PUMP - 12VDC - 160PSI BYPASS - 1/4"JG - FLEX
PAB6841-2P03-B221	AQUATEC LF BOOSTER PUMP - 24VAC - 160PSI BYPASS - 1/4"JG - FLEX
PAB6841-2P77-B330	AQUATEC LF MISTING PUMP - 12VDC - VITON SEALS & DIAPHRAGM - 160 PSI BYPASS - 1/4" JG - NO BRACKET
PAB6841-2P77-B334	AQUATEC LF MISTING PUMP - 12VDC - VITON - 160PSI BYPASS - 1/4"JG - METAL

WATER TREATMENT

Pumps & Accessories - Aquatec & Nuert

Aquatec Pumps - Low Flow Booster Pumps



AQUATEC BOOSTER PUMPS - LOW FLOW (3/8" JG PORTS)



<u>PART NUMBER</u>	<u>ITEM DESCRIPTION</u>
PAB6850-2DF2-S204	AQUATEC LF BOOSTER PUMP - 24VDC- 50PSI BYPASS - 3/8"JG - STEEL - W/ EMI/RFI - 120°ROTATION - THE..
PAB6850-2J03-B221	AQUATEC LF BOOSTER PUMP - 24VAC - 110PSI BYPASS - 3/8"JG - FLEX
PAB6850-2J03-V201	AQUATEC LF BOOSTER PUMP - 24VDC - 110 BYPASS - 3/8"JG - FLEX - LEAD WIRES W/ EMI/RFI

<u>PART NUMBER</u>	<u>ITEM DESCRIPTION</u>
PAB6851-2J03-B221	AQUATEC LF BOOSTER PUMP - 24VAC - 110 PSI BYPASS - 3/8" JG - FLEX BRACKET
PAB6851-2J03-B331	AQUATEC LF BOOSTER PUMP - 12VDC - 110PSI BYPASS - 3/8"JG - 2-1/2°CAM - FLEX
PAB6851-2P01-B221	AQUATEC LF BOOSTER PUMP - 24VAC - 160PSI BYPASS - 3/8"JG - FLEX
PAB6851-2P01-B224	AQUATEC LF BOOSTER PUMP - 24VAC - 160PSI BYPASS - 3/8" JG - STEEL
PAB6851-2P01-B331	AQUATEC LF BOOSTER PUMP - 12VDC - 160PSI BYPASS - 3/8"JG - FLEX

REPAIR PARTS FOR PAB6800 SERIES

<u>PART NUMBER</u>	<u>ITEM DESCRIPTION</u>
PAB-SCREWS	AQUATEC SCREWS FOR BASE PLATE ON CDP6800 PUMP
PAB53-015-00	AQUATEC DIAPHRAGM KIT (LOWER HOUSING ASSEMBLY) ONLY FOR 6840/8840 & 6850/8850 BOOSTER PUMPS (FOR...
PAB53-082	AQUATEC DIAPHRAGM KIT (LOWER HOUSING ASSEMBLY) ONLY FOR 6841/8841 & 6851/8851 BOOSTER PUMPS (FOR...
PAB6840-2J03	AQUATEC 6840-2J03 COMPLETE PUMP HEAD ASSEMBLY ONLY
PAB6841-2J03	AQUATEC 6841-2J03 COMPLETE PUMP HEAD ONLY
PAB6850-2J03	AQUATEC 6850 COMPLETE PUMP HEAD ASSEMBLY ONLY
PAB6851-2P01	AQUATEC 6851-2P01 COMPLETE PUMP HEAD ASSEMBLY ONLY
PAB6871-2B01	AQUATEC 6871-2B01 COMPLETE PUMP HEAD ONLY
PAB6840-2J03-V223	AQUATEC LF BOOSTER PUMP - 24VAC - 110PSI BYPASS - 1/4"JG - UNIVERSAL - W/ CONNECTORS - EMI/RFI



WATER TREATMENT

Pumps & Accessories - Aquatec & Nuert

Aquatec Pumps - Low Flow Booster Pumps

OPERATIONAL & INSTALLATION GUIDELINES

PAB6800 SERIES BOOSTER PUMP

Please read these Operational and Installation Guidelines before installing the PAB6800 Series Booster Pump. If additional help is needed, please consult the Factory.

CAUTIONS:

- The pump is equipped with either a fixed or adjustable bypass valve which controls the maximum operating pressure.
- Never operate the pump in harsh environment or hazardous atmosphere, since motor brush and switch may cause electrical arcing.
- Pumphead materials are designed for use with water only. Do not use with petroleum products.
- As long as there is feed water pressure, the pump will not stop forward flow of water even if the motor is turned off. Be sure the system has positive means of shutting off water supply.
- Always consider electrical shock hazard when working with and handling electrical equipment. If uncertain, consult an Electrician. Electrical wiring should only be done by a qualified Electrician per local and State Electric Codes.

MOUNTING:

- The pump should be mounted in a dry place and away from any source of heat. If an enclosure is used, special provisions for cooling the motor may be necessary. Certain models may be ordered with a thermal protected motor.
- Do not subject the Pump to extreme high or low (freezing) temperatures while in operation. (Operating ambient temperatures range is 32°F to 115°F)
- The pump may be mounted in any position. If "ceiling mounted", with the pump down, air entrapment may reduce the operational performance by up to 15%. Consult Aquatec for ceiling mount solutions.

PLUMBING:

- We recommend use of flexible tubing with proper pressure rating.
- Pump will prime only if all pressure is relieved from the outlet port.
- It is recommended that an in-line sediment filter be installed at the inlet side to keep foreign debris out of the system. This does not include a dual purpose filter (sediment/carbon).
- Avoid any sharp bends which may crimp tubing and restrict flow. Use 90° elbow fittings if necessary.
- The pump should always be mounted prior to the carbon pre-filter to prevent carbon particles from entering the pump chambers and possibly causing clogging. This includes any dual purpose (sediment/carbon) filter.

ELECTRICAL:

- The PAB6800 series pumps are designed for continuous duty. If used for intermittent duty cycle, make sure that "off" periods are greater than 60 seconds. Consult the Factory for particular data and design criteria.
- If a power supply used with the system is not furnished by Aquatec, it will need to be reviewed for correct application and approval by Aquatec.

WATER TREATMENT

Pumps & Accessories - Aquatec & Nuert

Aquatec Pumps - Low Flow Booster Pumps



INSTALLATION PROCEEDURE

PAB6800 SERIES BOOSTER PUMPS

The basic PAB6800 pump consists of a pump and transformer unit. Systems may be supplied with other options: e.g. PAW system pressurized shut-off switch, LPS low feed-water shut-off switch, TLC tank level controller or PAF membrane auto-flush valve or PFR membrane auto-flush flow restrictor valve. Pumps are completely assembled, tested and ready for immediate connection to your R.O. system.

Read the operational and installation guidelines carefully before starting to install the pump.

Consult the Factory if there is any question.

1. Determine the optimum location for your pump before proceeding.

note: locate the pump after the sediment pre-filter and before the carbon pre-filter (If part of R.O. system).

2. Turn off water.

3. Cut the 1/4" or 3/8" O.D. flexible tubing in sufficient length to avoid any stress on the tubing where it connects to the pump or the fitting on any accessory.

4. Insert tubing into pump ports. Be sure tubing is inserted past the resistance point until it bottoms out against the port stop.

5. The "CDP" pump is now ready for operation. Open feed-water valve to allow water to flow through the R.O. system (Open flow-restrictor by-pass valve if part of R.O. system).

6. If the power source is a transformer, plug the appropriate Aquatec supplied/approved transformer into the receptacle and connect the pump to the transformer. If the power source is not a transformer, connect the pump to the appropriate power source. Allow water to circulate, purging any entrapped air. For pumps equipped with our "AFT" auto-flush, the flow restrictor by-pass will open and close automatically when the transformer is plugged in.

7. The pump will now start building pressure. Operating pressure will vary with membrane flow rate, flow restrictor flow rate, feed-water pressure and line voltage. Check for fitting leaks.

NOTE: If the flow restrictor is too small (We recommend 300MI/MIN. for standard CDP 6800 series pumps and 500MI/MIN. for CDP 8800 series pumps), or if the R.O. systems is clogged, an internal pump by-pass mechanism limits the output pressure.

SERVICING:

Every Year: Check system against operating standards.

Every 2-3 Years: Replace diaphragm and check against operating standards.



WATER TREATMENT

Pumps & Accessories - Aquatec & Nuert

Aquatec Pumps - Low Flow Booster Pumps

AQUATEC WARRANTY INFORMATION

Aquatec Water Systems, Inc. ("Aquatec") warrants its products to be free from defects in material and workmanship under the following terms:

All Aquatec products with the exception of series 68XX, ERP 1000 and Aquajet model pumps: The warranty will last for a period of thirteen months from the date of shipping from an Aquatec warehouse. Warranty period for 68XX and ERP 1000 is twenty-five months from the date of shipment from Aquatec. Aquatec warrants its Model Aquajet RV Pumps (Part Numbers 55-AQUAJET-ARV and 55-AQUAJET-AES) for a period of 2 years from the date of shipment from Aquatec. Aquatec's obligation under this warranty shall be limited to replacing or repairing at Aquatec's discretion, any such product or part which must be returned to Aquatec's factory with a Return Material Authorization Number (RMA No.), transportation charges approved by Aquatec or prepaid, and which upon examination, is found to Aquatec's satisfaction to have been defective under the terms of this warranty. No credit will be allowed against future purchases for items returned as defective under the terms of Aquatec's warranty.

This warranty does not extend to any products, which have been altered or modified outside the Aquatec factory, nor does it apply to units that are returned in an unassembled condition. Furthermore, the warranty does not extend to pumps that are identified by a 9XXX model number, indicating non-compliance with Aquatec's Engineering Standards. This includes, but is not limited to, pumps ordered without an integral control mechanism. The warranty guarantees that products will perform to Aquatec's flow and pressure specifications throughout the life of the warranty. The warranty does not cover wear, appearance, misapplication or external water damage. If the returned product is found not to be defective under the conditions of this warranty, a charge will be made for repair or replacement.

Brush wear may be limited to 1000 hours or less.

This is a Limited Warranty. It covers the product only and the extent of the coverage is limited to the cost of the product. As the manufacturer has no control over shipping, handling and installation, the warranty cannot cover water damage, or any other damage, caused by a leak or other malfunction.

This warranty is in lieu of all other warranties, expressed or implied, and no person is authorized to give any other warranty or assume obligation or liability in Aquatec's behalf. Aquatec shall not be liable for any indirect, incidental or consequential damages of any kind incurred by the reason of the use or sale of any defective product and part.

WATER TREATMENT

Pumps & Accessories - Aquatec & Nuert
Aquatec Pumps - High Flow Booster Pumps



BOOSTER PUMPS

PAB8800 SERIES HIGH FLOW BOOSTER PUMP

DISTINGUISHING FEATURES:

- Toughest, most durable pump on the market
- Adjustable max. outlet psi.(regardless of feed pressure)
- Expels trapped air (no more air locks)
- Can be mounted with pump head up or horizontal
- More flow at extremely low inlet pressures
- New motor venting system to remove moisture
- EMI/RFI electronic noise suppression
- 100% final performance tested
- Available in 12VDC and 24VDC



PAB8851-2J03-B423

The 8800 Series is intended for membranes rated up to 120 GPD. Close tolerances within the pump head and motor, result in lower amp draw; lower operating temperatures; smoother running; longer life; lower maintenance; and greater efficiencies.

The pump incorporates powder coated die cast alloys and a unique label sealing process to reduce expo-sure to moisture which is the major cause of motor failure. The pump is available with optional EMI/RFI electronic noise suppression to reduce TV reception interference. It is capable of operating in a warm, humid, hostile environment where other pumps have been known to fail. It is the toughest, most durable pump available on the market today.

The standard flex mounting bracket is a "S-shaped" plastic bracket. The universal bracket (as shown above) and steel bracket are also available.

PAB800 SERIES HIGH FLOW BOOSTER PUMP

KEY OPERATIONAL BENEFITS:

- Boosts pressure 40 to 120 psi (adjustable)
- Used with membranes 50 to 120 GPD
- 15,000+ operating hours (estimated)
- Quiet -- less than 52 DBA
- Can run dry without damage
- Self-priming -- 60" lift
- Low voltage [12-24V] for maximum safety
- Corrosion resistant exterior
- Available in 12VDC and 24VDC

TECHNICAL SPECIFICATIONS

OPERATION: The PAB8800 is designed to operate with a PAW tank shut-off switch for hydro-pneumatic storage systems. The PAW, when used with a typical under counter R.O. system, can be augmented with an PSO, Electronic Shut-off Valve. It is also compatible with most hydraulic shut-off valves. For counter-top systems, Aquatec's TIC, Tank level Controllers, shut off feed water and the pump when the product water storage tank is full. The PFR, Auto Flush Valve, is highly recommended for higher production membranes to ensure membrane efficiency.

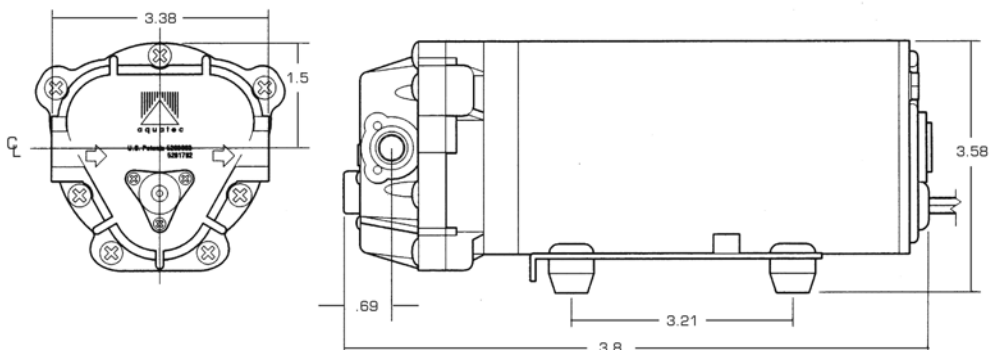
MOUNTING PLATES: The flex base plate is standard. The "Universal" base plate and "steel" base plates are also available.

POWER: Pumps operate with safe, low energy (only 24 watts), low voltage [12-24 volt] motors, powered with compatible transformers with world wide primary voltages available [100 VAC, 120 VAC, 230 VAC]. Transformers are optional and must be ordered in addition to the pump.

FITTINGS: Built-in 3/8" Quick Connect half cartridge fittings eliminate need for external fittings as standard. It is also available with 1/4" built-in Quick Connect half cartridges.

INSTALLATION: The location and positioning of the pump may affect its performance. Always consult the factory for recommendations that will optimize your system, if you have any concerns or questions.

Schematic of PAB8851 Series with steel mounting bracket



WATER TREATMENT

Pumps & Accessories - Aquatec & Nuert

Aquatec Pumps - High Flow Booster Pumps



BOOSTER PUMPS - HIGH FLOW (1/4" JG PORTS)



<u>PART NUMBER</u>	<u>ITEM DESCRIPTION</u>
PAB8840-2J03-B424	AQUATEC HF BOOSTER PUMP - 24VAC - 110PSI BYPASS - 1.90LPM - 1/4"JG - STEEL BRACKET
PAB8841-2HO1-T421	AQUATEC HF BOOSTER PUMP - 90PSI BYPASS - THERMAL MOTOR - 1/4"JG - FLEX
PAB8841-2J03-B421	AQUATEC HF BOOSTER PUMP - 24VAC - 110PSI BYPASS - 2.10LPM - 1/4"JG - FLEX
PAB8841-2J03-B423	AQUATEC HF BOOSTER PUMP - 24VAC - 110PSI BYPASS - 2.10LPM - 1/4"JG - UNIVERSAL
PAB8841-2J03-B424	AQUATEC HF BOOSTER PUMP - 24VAC - 110PSI BYPASS - 2.10LPM - 1/4"JG - STEEL
PAB8841-2J03-B541	AQUATEC HF BOOSTER PUMP - 12VDC - 110PSI BYPASS - 1/4"JG - FLEX
PAB8841-2J03-B544	AQUATEC HF BOOSTER PUMP - 12VDC - 110PSI BYPASS - 1/4"JG - STEEL
PAB8841-2P02-T421	AQUATEC HF BOOSTER PUMP-24VAC-160 PSI BYPASS-1/4" JG-THERMAL MOTOR-FLEX BRKT
PAB8842-2D01-V594	AQUATEC HF BOOSTER PUMP-24VDC-50 PSI BYPASS-1/4' JG-W/ LEAD WIRES ONLY-EMI/RFI-STEEL BRACKET
PAB8842-2E01-V594	AQUATEC HF BOOSTER PUMP - 24VDC - 60 PSI BYPASS - 1/4"JG - W/ LEAD WIRES ONLY - EMI/RFI - STEEL
PAB8842-2E12-V544	AQUATEC HF BOOSTER PUMP - 12VDC - 60 PSI BYPASS - 1.4LPM - 1/4"JG - W/ LEAD WIRES ONLY - EMI/RFI...
PAB8842-2F12-V594	AQUATEC HF BOOSTER PUMP-24VDC-70PSI BYPASS-1/4" JG-W/LEAD WIRES ONLY-EMI/RFI
PAB8842-2G02-T424	AQUATEC HF BOOSTER PUMP - 24VAC - 2.6 LPM - 80PSI BYPASS - 1/4"JG - THERMAL MOTOR - METAL BRACKET
PAB8842-2J03-B423	AQUATEC HF BOOSTER PUMP - 24VAC - 110PSI BYPASS - 1/4"JG - UNIVERSAL BRKT
PAB8842-2J03-B424	AQUATEC HF BOOSTER PUMP - 24VAC - 110PSI BYPASS - 1/4"JG - STEEL
PAB8842-2J03-B544	AQUATEC HF BOOSTER PUMP - 12VDC - 110PSI BYPASS - 1/4"JG - STEEL
PAB8842-2J03-V594	AQUATEC HF BOOSTER PUMP-24VDC-110 PSI BYPASS-1/4' JG-W/ LEAD WIRES ONLY-EMI/RFI-STEEL BRACKET
PAB8842-2M03-V594	AQUATEC HF BOOSTER PUMP - 24VDC - 140PSI BYPASS - 1/4"JG - W/ LEAD WIRES ONLY - EMI/RFI - STEEL
PAB8842-2P01-B594	AQUATEC HF BOOSTER PUMP- 24VDC - 160 PSI BYPASS - 2.35 LPM-STEEL BRKT
PAB8842-2P02-T421	AQUATEC HF BOOSTER PUMP - 24VAC-2.6 LPM-160 PSI BYPASS- 1/4"JG -THERMAL MOTOR-FLEX BRACKET

BOOSTER PUMPS - HIGH FLOW (3/8" JG PORTS)



<u>PART NUMBER</u>	<u>ITEM DESCRIPTION</u>
PDP5853-2LM2-B534	AQUATEC HF BOOSTER PUMP-24VAC-130PSI BYPASS-1.2GPM-3/8" JG* * *AKA PART # 5858-2LM2-B534
PAB8850-2E03-B424	AQUATEC HF BOOSTER PUMP - 60PSI BYPASS - 3/8"JG - 2°CAM - STEEL
PAB8850-2H03-B424	AQUATEC HF BOOSTER PUMP-90PSI-BYPASS-1.9LPM-24VAC-3/8" JG
PAB8850-2J03-B421	AQUATEC HF BOOSTER PUMP - 24 VAC - 110 PSI BYPASS - 3/8" JG - FLEX BRACKET
PAB8850-2P02-T424	AQUATEC HF BOOSTER PUMP - 1.9 LPM - 24VAC - 160PSI BYPASS - 3/8"JG - THERMAL MOTOR - 2°CAM - STEEL
PAB8850-2P02-T541	AQUATEC HF BOOSTER PUMP - 12VDC - 160PSI BYPASS - 3/8"JG - THERMAL MOTOR - FLEX
PAB8850-2P02-T544	AQUATEC HF BOOSTER PUMP - 12VDC - 160PSI BYPASS - 3/8"JG - THERMAL MOTOR - STEEL

<u>PART NUMBER</u>	<u>ITEM DESCRIPTION</u>
PAB8851-2F03-V594	AQUATEC HF BOOSTER PUMP - 24VDC - 70PSI BYPASS - 1.93LPM - 3/8"JG - W/ LEAD WIRES ONLY - EMI/RFI...
PAB8851-2G03-B593	AQUATEC HF BOOSTER PUMP - 24VDC - 80 PSI BYPASS - 1.93LPM - 3/8"JG - UNIVERSAL
PAB8851-2J03-B323	AQUATEC HF BOOSTER PUMP-24VAC-110PSI BYPASS-3/8JG-UNIVERSAL BRKT
PAB8851-2J03-B421	AQUATEC HF BOOSTER PUMP - 24VAC - 110PSI BYPASS - 3/8"JG - FLEX
PAB8851-2J03-B423	AQUATEC HF BOOSTER PUMP - 24VAC - 110PSI BYPASS - 3/8"JG - UNIVERSAL
PAB8851-2J03-B424	AQUATEC HF BOOSTER PUMP - 24VAC - 110PSI BYPASS - 3/8"JG - STEEL
PAB8851-2J03-V323	AQUATEC HF BOOSTER PUMP - 24VAC - 110PSI BYPASS - 3/8"JG - W/ CONNECTORS - EMI/RFI - UNIVERSAL
PAB8851-2J03-V594	AQUATEC HF BOOSTER PUMP - 24VDC - 110PSI BYPASS - 1.93LPM - 3/8"JG - W/ LEAD WIRES ONLY - EMI/RF...
PAB8851-2J12-V421	AQUATEC HF BOOSTER - 24VAC - 110PSI BYPASS - 3/8"JG - W/ CONNECTORS - EMI/RFI - FLEX
PAB8851-2J12-V423	AQUATEC HF BOOSTER - 24VAC - 110PSI BYPASS - 3/8"JG - W/ CONNECTORS - EMI/RFI - UNIVERSAL
PAB8851-2P02-T424	AQUATEC HF BOOSTER PUMP - 2.10 LPM - 24VAC - 160PSI BYPASS - 3/8"JG - THERMAL MOTOR - STEEL
PAB6841-2P77-B330	AQUATEC LF MISTING PUMP - 12VDC - VITON SEALS & DIAPHRAGM - 160 PSI BYPASS - 1/4" JG - NO BRACKET
PAB6841-2P77-B334	AQUATEC LF MISTING PUMP - 12VDC - VITON - 160PSI BYPASS - 1/4"JG - METAL

WATER TREATMENT

Pumps & Accessories - Aquatec & Nuert

Aquatec Pumps - High Flow Booster Pumps



BOOSTER PUMPS - HIGH FLOW (3/8" JG PORTS)



<u>PART NUMBER</u>	<u>ITEM DESCRIPTION</u>
PAB8852-2D01-V594	AQUATEC - 24VDC - 50PSI BYPASS - 3/8"JG - 2.35LPM - W/ LEAD WIRES ONLY - EMI/RFI...
PAB8852-2E01-V594	AQUATEC - 24VDC - 60PSI BYPASS - 3/8"JG - 2.35LPM - W/ LEAD WIRES ONLY - EMI/RFI...
PAB8852-2E12-B424	AQUATEC - 24VAC - 60PSI BYPASS - 3/8"JG - STEEL
PAB8852-2F03-V594	AQUATEC - 24VDC - 70PSI BYPASS - 3/8"JG - 2.35LPM - W/ LEAD WIRES ONLY - EMI/RFI...
PAB8852-2G03-B593	AQUATEC - 24VDC - 80 PSI BYPASS - 2.35LPM - 3/8"JG - UNIVERSAL
PAB8852-2H03-B424	AQUATEC - 24VAC - 90PSI BYPASS - 3/8"JG - STEEL
PAB8852-2H03-V594	AQUATEC - 24VDC - 90PSI BYPASS - 3/8"JG - W/ LEAD WIRES ONLY - EMI/RFI - STEEL
PAB8852-2I77-B424	AQUATEC - 24VAC - 100PSI BYPASS - 3/8"JG - VITON SEALS - STEEL
PAB8852-2J01-B594	AQUATEC - 24VDC - 110PSI BYPASS - 3/8"JG - W/ LEAD WIRES ONLY - STEEL
PAB8852-2J03-B421	AQUATEC - 24VAC - 110PSI BYPASS - 3/8"JG - 3°CAM - FLEX
PAB8852-2J03-B423	AQUATEC - 24VAC - 110PSI BYPASS - 3/8"JG - 3°CAM - UNIVERSAL
PAB8852-2J03-B424	AQUATEC - 24VAC - 110PSI BYPASS - 3/8"JG - 3°CAM - STEEL
PAB8852-2J03-B544	AQUATEC HF BOOSTER PUMP-12VDC -110PSI BYPASS-1.4 LPM -3/8JG
PAB8852-2J03-V423	AQUATEC - 24VAC - 110PSI BYPASS - 3/8"JG - 3°CAM - W/ CONNECTORS - EMI/RFI - UNI...
PAB8852-2J03-V424	AQUATEC - 24VAC - 110PSI BYPASS - 3/8"JG - 3°CAM - W/ CONNECTORS - EMI/RFI - STEEL
PAB8852-2J03-V594	AQUATEC - 24VDC - 110PSI BYPASS - 3/8"JG - W/ LEAD WIRES ONLY - EMI/RFI/CE - STEEL
PAB8852-2J77-B423	AQUATEC - 24VAC - 110PSI BYPASS - 3/8"JG - VITON SEALS - UNIVERSAL
PAB8852-2L03-T421	AQUATEC - 24VAC -130PSI BYPASS - 3/8 JG - THERMAL MOTOR - FLEX BRACKET
PAB8852-2P02-T421	AQUATEC - 2.6 LPM - 24VAC - 160PSI BYPASS - 3/8"JG - THERMAL MOTOR - FLEX
PAB8852-2P02-T423	AQUATEC -160PSI-BYPASS-24VAC-2.6LPM-THERMAL MOTOR-UNIV BRKT-3/8 JG
PAB8852-2P02-T424	AQUATEC - 2.6 LPM - 24VAC - 160PSI BYPASS - 3/8"JG - THERMAL MOTOR - STEEL
PAB8852-2P02-T541	AQUATEC - 12VDC - 160PSI BYPASS - 3/8"JG - THERMAL MOTOR - FLEX
PAB8852-8D77-V594	AQUATEC - 24VDC -50PSI BYPASS - 3/8"JG - VITON SEALS - W/ LEAD WIRES ONLY - EMI/...
PAB8852-8F77-V594	AQUATEC - 24VDC - 70PSI BYPASS - 3/8"JG - VITON SEALS - W/ LEAD WIRES ONLY - EMI...
PAB8852-8FE1-V594	AQUATEC - 24VDC - 70PSI BYPASS - 3/8"JG - W/ PE SHIELD - W/ LEAD WIRES ONLY - EM...



PRECISION
INSTALLATION
PRODUCTS



aquatec

WATER TREATMENT

Pumps & Accessories - Aquatec & Nuert

Aquatec Pumps - High Flow Booster Pumps

BOOSTER PUMPS - HIGH FLOW (3/8" FPT PORTS)



<u>PART NUMBER</u>	<u>ITEM DESCRIPTION</u>
PAB8881-2J03-B594	AQUATEC HF BOOSTER PUMP-24VDC-110PSI BYPASS-3/8"FPT PORTS-NO CORD-LEAD WIRES ONLY
PAB8882-2H12-V594	AQUATEC HF BOOSTER PUMP - 24VDC - 90PSI BYPS - 3/8"FPT - THERMAL PROTECTED - W/ LEAD WIRES ONLY ...
PAB8882-2P02-T424	AQUATEC HF BOOSTER PUMP - 2.6 LPM - 24 VAC - 160 PSI BYPASS - 3/8" FPT PORTS - THERMAL MOTOR - STEEL BRACKET

REPAIR PARTS FOR PAB8800 SERIES

<u>PART NUMBER</u>	<u>ITEM DESCRIPTION</u>
PAB53-015-00	AQUATEC DIAPHRAGM KIT (LOWER HOUSING ASSEMBLY) ONLY FOR 6840/8840 & 6850/8850 BOOSTER PUMPS (FOR...
PAB53-082	AQUATEC DIAPHRAGM KIT (LOWER HOUSING ASSEMBLY) ONLY FOR 6841/8841 & 6851/8851 BOOSTER PUMPS (FOR...
PAB8840-2J03	AQUATEC 8840-2J03 COMPLETE PUMP HEAD ASSEMBLY ONLY
PAB8841-2J03	AQUATEC 8841-2J03 COMPLETE PUMP HEAD ASSEMBLY ONLY
PAB8850-2J03-B421-VHA	AQUATEC VALVE HOUSING ASSEMBLY FOR 8850-2J03-B421
PAB8851-2G03	AQUATEC 8851-2G03 COMPLETE PUMP HEAD ASSEMBLY
PAB8851-2J03	AQUATEC 8851-2J03 COMPLETE PUMP HEAD ASSEMBLY ONLY
PAB8852-2J03	AQUATEC 8852-2J03 COMPLETE PUMP HEAD ASSEMBLY
PAB8852-2J03-B421-LHA	LOWER HOUSING ASSEMBLY ONLY FOR MODEL # 8852-2J03-B421
PAB8852-2J03-V594-HEAD	AQUATEC 8852-2J03-594 COMPLETE PUMP HEAD ASSEMBLY
PAB8852-2P02-HEAD	AQUATEC 8852-2P02 COMPLETE PUMP HEAD ASSEMBLY
PAB8852-8F77-V594-HEAD	AQUATEC 8852-8F77-V594 COMPLETE PUMP HEAD ASSEMBLY ONLY
PAB8852-8FE1-V594-HEAD	AQUATEC 8852-8FE1-V594 COMPLETE PUMP HEAD ASSEMBLY ONLY

WATER TREATMENT

Pumps & Accessories - Aquatec & Nuert

Aquatec Pumps - High Flow Booster Pumps



OPERATIONAL & INSTALLATION GUIDELINES

PAB8800 SERIES BOOSTER PUMP

Please read these Operational and Installation Guidelines before installing the PAB8800 Series Booster Pump. If additional help is needed, please consult the Factory.

CAUTIONS:

1. The pump is equipped with either a fixed or adjustable bypass valve which controls the maximum operating pressure. In addition, never subject the pump to pressures above 125 PSI (8.5 bars).
2. Never operate the pump in harsh environment or hazardous atmosphere, since motor brush and switch may cause electrical arcing.
3. Pumphead materials are designed for use with water only. Do not use with petroleum products.
4. As long as there is feed water pressure, the pump will not stop forward flow of water even if the motor is turned off. Be sure the system has positive means of shutting off water supply.
5. Always consider electrical shock hazard when working with and handling electrical equipment. If uncertain, consult an Electrician. Electrical wiring should only be done by a qualified Electrician per local and State Electric Codes.

MOUNTING:

- A. The pump should be mounted in a dry place and away from any source of heat. If an enclosure is used, special provisions for cooling the motor may be necessary. Certain models may be ordered with a thermal protected motor.
- B. Do not subject the Pump to extreme high or low (freezing) temperatures while in operation. (Operating ambient temperatures range is 32°F to 115°F)
- C. The pump may be mounted in any position. If "ceiling mounted", however, with the pump head upside down, air entrapment may reduce the operational performance by up to 15%. Consult Aquatec for ceiling mount solutions.

PLUMBING:

- A. We recommend use of flexible tubing with proper pressure rating.
- B. Pump will prime only if all pressure is relieved from the outlet port.
- C. It is recommended that an in-line sediment filter (150 micron or 100 mesh) be installed at the inlet side to keep foreign debris out of the system. Please consult your Aquatec catalog for an in-line filter.
- D. Avoid any sharp bends which may crimp tubing and restrict flow. Use 90° elbow fittings if necessary. Aquatec provides pumps with different kinds of fittings. Please consult the Factory for your needs.
- E. The pump should always be mounted prior to the carbon pre-filter to prevent carbon particles from entering the pump chambers and possibly causing clogging.

ELECTRICAL:

- A. The PAB8800 series pumps are designed for continuous duty. If used for intermittent duty cycle, make sure that "off" periods are great than 60 seconds. Consult the Factory for particular data and design criteria.
- B. If a power supply used with the system and the supply is not furnished by Aquatec, it will need to be reviewed for correct application and approval by Aquatec.



WATER TREATMENT

Pumps & Accessories - Aquatec & Nuert

Aquatec Pumps - High Flow Booster Pumps

INSTALLATION PROCEEDURE

8800 SERIES BOOSTER PUMPS

The basic 8800 pump consists of a pump and transformer unit. Systems may be supplied with other options: e.g. **PSW** system pressurized shut-off switch, **LPS** low feed-water shut-off switch, **TLC** tank level controller or **PAF** membrane auto-flush valve or **PFR** membrane auto-flush flow restrictor valve. Pumps are completely assembled, tested and ready for immediate connection to your R.O. system.

Read the operational and installation guidelines carefully before starting to install the pump. Consult the Factory if there is any question.

1. Determine the optimum location for your pump before proceeding.

note: locate the pump after the sediment pre-filter and before the carbon pre-filter (If part of R.O. system).

2. Turn off water.

3. Cut the 1/4" or 3/8" O.D. flexible tubing in sufficient length to avoid any stress on the tubing where it connects to the pump or the fitting on any accessory.

4. Insert tubing into pump ports. If fittings are John Guest type, be sure tubing is inserted past the resistance point until it bottoms out against the port stop. If the compression fittings with threaded nuts are used, insert tubing until it bottoms out in the port and hand tighten the compression nut until the connection is tight. Then tighten the nut 1/2 turn clockwise or follow the wrench tightening instructions provided by fitting manufacturer.

5. The "CDP" pump is now ready for operation. Open feed-water valve to allow water to flow through the R.O. system (Open flow-restrictor by-pass valve if part of R.O. system).

6. If the power source is a transformer, plug the appropriate Aquatec supplied/approved transformer into the receptacle and connect the pump to the transformer. If the power source is not a transformer, connect the pump to the appropriate power source. Allow water to circulate, purging any entrapped air. For pumps equipped with our "AFT" auto-flush, the flow restrictor by-pass will open and close automatically when the transformer is plugged in.

7. The pump will now start building pressure. Operating pressure will vary with membrane flow rate, flow restrictor flow rate, feed-water pressure and line voltage. Check for fitting leaks.

note: If the flow restrictor is too small (We recommend 300MI/min. for standard CDP 6800 series pumps and 500MI/min. for CDP 8800 series pumps), or if the R.O. systems is clogged, an internal pump by-pass mechanism limits the output pressure.

8. If compression fittings with threaded nuts are used, observe any leaks after pump has run for approximately 15 minutes. Further tighten compression nuts approximately 1/8 to 1/4 of a turn on all fittings in the system. Wait 15 minutes and repeat the leak check.

NOTE: Further adjustments should not be necessary although it may take several days of operation before all air has been purged and the system is stabilized.

SERVICING:

Every Year: Check system against operating standards. **Every 2-3 Years:** Replace diaphragm and check against operating standards.

WATER TREATMENT

Pumps & Accessories - Aquatec & Nuert

Aquatec Pumps - High Flow Booster Pumps



WARRANTY INFORMATION

AQUATEC WARRANTY

Aquatec Water Systems, Inc. ("Aquatec") warrants its products to be free from defects in material and workmanship under the following terms:

All Aquatec products with the exception of series 68XX, ERP 1000 and Aquajet model pumps: The warranty will last for a period of thirteen months from the date of shipping from an Aquatec warehouse. Warranty period for 68XX and ERP 1000 is twenty-five months from the date of shipment from Aquatec. Aquatec warrants its Model Aquajet RV Pumps (Part Numbers 55-AQUAJET-ARV and 55-AQUAJET-AES) for a period of 2 years from the date of shipment from Aquatec. Aquatec's obligation under this warranty shall be limited to replacing or repairing at Aquatec's discretion, any such product or part which must be returned to Aquatec's factory with a Return Material Authorization Number (RMA No.), transportation charges approved by Aquatec or prepaid, and which upon examination, is found to Aquatec's satisfaction to have been defective under the terms of this warranty. No credit will be allowed against future purchases for items returned as defective under the terms of Aquatec's warranty.

This warranty does not extend to any products, which have been altered or modified outside the Aquatec factory, nor does it apply to units that are returned in an unassembled condition. Furthermore, the warranty does not extend to pumps that are identified by a 9XXX model number, indicating non-compliance with Aquatec's Engineering Standards. This includes, but is not limited to, pumps ordered without an integral control mechanism. The warranty guarantees that products will perform to Aquatec's flow and pressure specifications throughout the life of the warranty. The warranty does not cover wear, appearance, misapplication or external water damage. If the returned product is found not to be defective under the conditions of this warranty, a charge will be made for repair or replacement.

Brush wear may be limited to 1000 hours or less.

This is a Limited Warranty. It covers the product only and the extent of the coverage is limited to the cost of the product. As the manufacturer has no control over shipping, handling and installation, the warranty cannot cover water damage, or any other damage, caused by a leak or other malfunction.

This warranty is in lieu of all other warranties, expressed or implied, and no person is authorized to give any other warranty or assume obligation or liability in Aquatec's behalf. Aquatec shall not be liable for any indirect, incidental or consequential damages of any kind incurred by the reason of the use or sale of any defective product and part.

APPLICATION GUIDE - 1

TYPICAL UNDER-COUNTER R.O. SYSTEM WITH HYDRO-PNEUMATIC STORAGE TANK

The following schematic diagram shows a combination of Aquatec's products and accessories designed to enhance the performance of a typical under-counter R.O. system using a hydro-pneumatic storage tank. Any or all products and accessories shown below can be integrated into your system. It is important that the proper size transformer and wiring harness arrangement is specified to match the combination of components required.

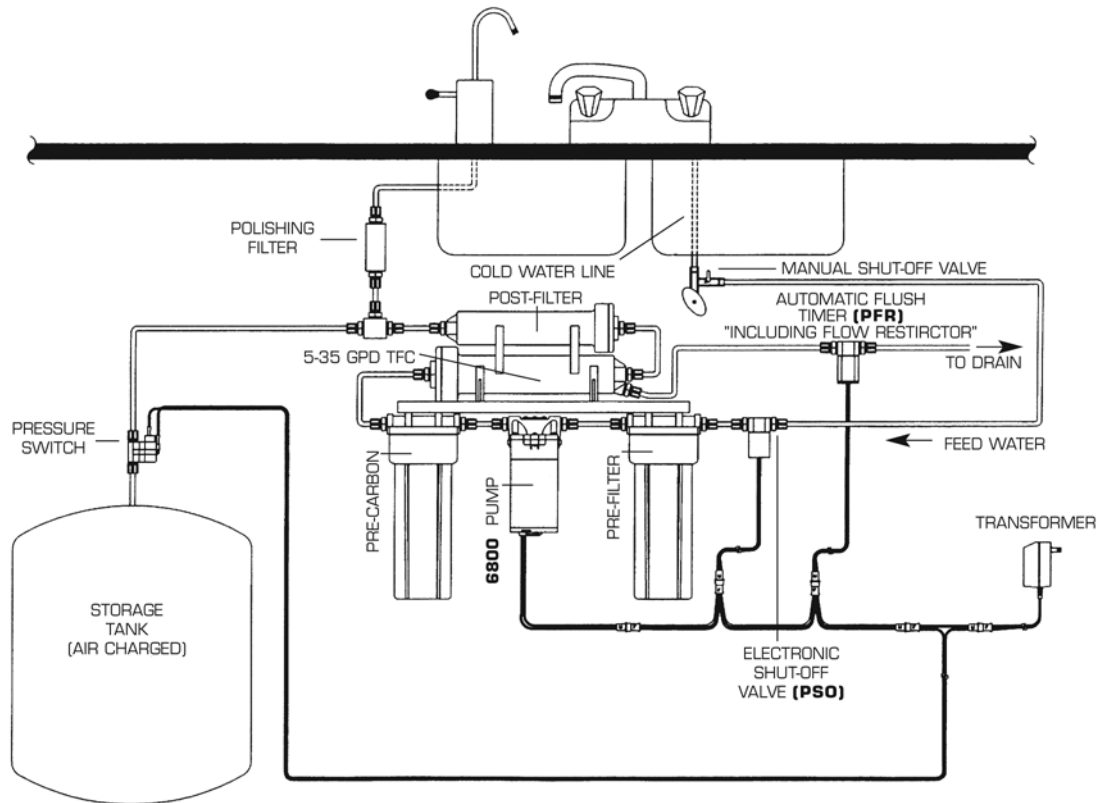


Figure 1. Aquatec Water Systems – CDP Series – Typical Under counter Installation – Air Charged Storage Tank.

WATER TREATMENT

Pumps & Accessories - Aquatec & Nuert

Aquatec Pumps - Booster Pumps



APPLICATION GUIDE - 2

TYPICAL UNDER-COUNTER R.O. SYSTEM WITH HYDRO-PNEUMATIC STORAGE TANK

The following schematic diagram shows a combination of Aquatec's products and accessories designed to enhance the performance of a typical under-counter R.O. system using a hydro-pneumatic storage tank. Any or all products and accessories shown below can be integrated into your system. It is important that the proper size transformer and wiring harness arrangement is specified to match the combination of components required.

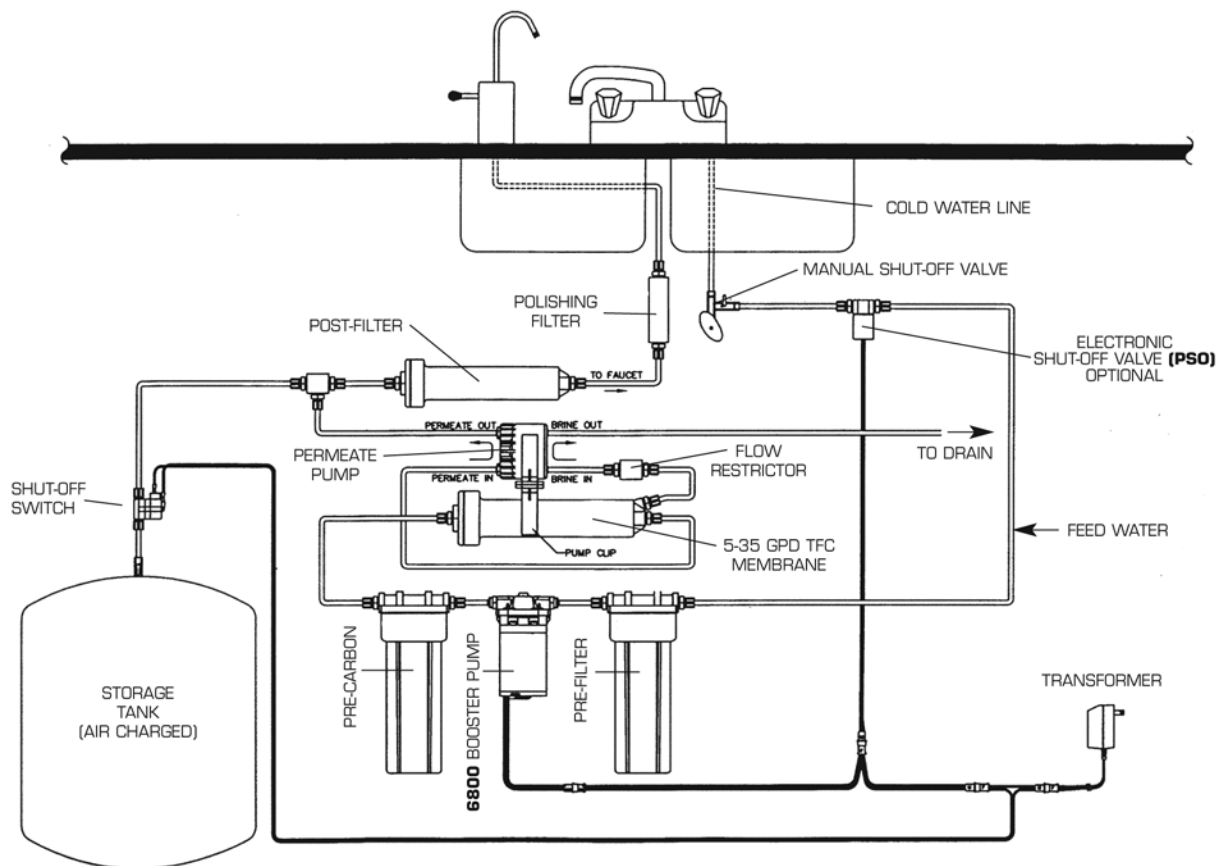


Figure 2. Aquatec Water Systems – Permeate Pump & Booster Pump
– Typical Under counter Installation – Air Charged Storage Tank.

DEMAND DELIVERY PUMPS - TRANSFER PUMPS

550 SERIES SUPER FLOW PUMP

DISTINGUISHING FEATURES:

- 5 chamber construction
- Pressure switch and transducer options
- Closed impervious diaphragm
- Independent symmetrical valves
- Highest structural integrity
- Engineered composite plastics
- Corrosion resistant metal
- Ten point clamping
- Multiple porting options
- DC and AC motors



The 550 series is Aquatec's latest introduction in Diaphragm Pump Technology. Designed to meet a wide variety of fluid transfer applications, the 550 series is a classic example of Aquatec's commitment in offering silent solutions to pump applications. When compared to competitive Diaphragm pumps, the 550 series offers dramatically lower noise and hydraulic pulsations in its performance. As a wash down pump, the 550 series offers much higher pressures than competitive models making clean up faster and easier.

Some typical uses include: RV and marine water systems, filtration system pressurization, beverage booster systems, portable wash down systems, agricultural spraying systems, coffee and food service.

Flow rates are available from 1.75 to 6.0 GPM and pressures to 100 PSI. It has a variety of control features optionally available including an optional electronic control system which allows the pump to meet a wide range of flow rate requirements automatically. Consult the factory to meet your application requirements.

NOTE: THESE PUMPS REQUIRE FITTINGS SHOWN ON PAGE # 01-60 & 61

WATER TREATMENT

Pumps & Accessories - Aquatec & Nuert

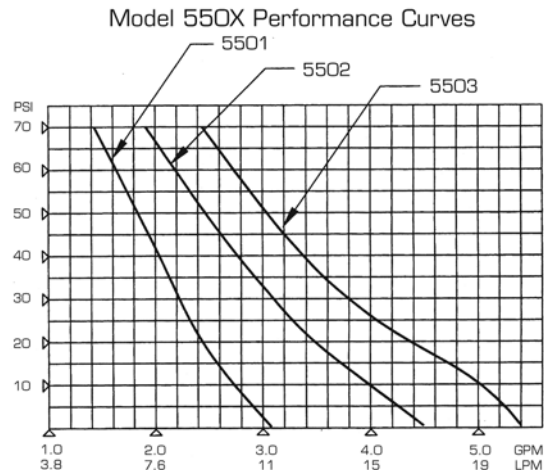
Aquatec Pumps - Demand Delivery Pumps



550 SERIES SUPER FLOW PUMP

DISTINGUISHING FEATURES:

- Unparalleled performance
- 1.75 to 6 GPM (20lpm) flow
- Up to 100 psi (7 bars) pressure
- 7 year design life
- Highly efficient
- Minimal pulsations
- Whisper quiet at lower flows
- Self priming
- Can run dry without damage
- Chemically resistant versions



NOTE: 0 PSI suction pressure - 70° Water Temperature
 *Performance will vary with operating conditions

OPERATION: The 550 pump can draw water from a holding tank and pressurize it, or boost the pressure from a low pressure source. It is designed to operate intermittently, but most versions can run continuously for several hour intervals. It can be operated in demand mode controlled by an integral pressure switch, or in delivery mode controlled by an external power switching device.

POWER: The power demand varies depending on flow and pressure from 50W to 200W. Motors are available in various configurations from 12 VDC to 230 VAC. Transformers or DC power supplies are optional and must be ordered separately if applicable. Standard terminations are 12" long 16 AWG lead wires with a stripped end, connectors or cords with plugs.

MOUNTING: A standard steel mounting base with four hollow rubber grommets is included (6 - Steel, high profile, wide 1.95, 2.35, 3.15-2.5x4.25). A custom base plate may be ordered. Specifications are:
 (8 - Steel, high profile, narrow 1.95, 2.35, 3.15-2.25 & 2.90).
 (4 - Steel, low profile, narrow 1.95, 2.35-2.25x3.18). The pump may be mounted in any position.

FITTINGS: The standard pumphead has a .750" port opening that accepts "quick-connect" beverage style O-ringed barb fittings, or Quick Connect fittings that can be used with 3/8", 1/2", 5/8" or 3/4" tubing. The pump can also be ordered with a 1/2" NPT female port. Always consult the factory for recommendations that will optimize your system.

NOTE: THESE PUMPS REQUIRE FITTINGS SHOWN ON PAGE # 01-60 & 61

DEMAND DELIVERY PUMPS - 5500 SERIES (3/4" QUAD PORTS)



<u>PART NUMBER</u>	<u>ITEM DESCRIPTION</u>
PDP5500-1E11-B576	AQUATEC - 115V - 1.75GPM - 60PSI - W/ QD PORTS - NO CORD
PDP5500-1E12-J576	AQUATEC - 115V - 1.75GPM - 60PSI - W/ QD PORTS - CORD
PDP5500-1F12-B596	AQUATEC - 24VDC - 70PSI - QD PORTS - NO CORD
PDP5500-1F12-B706	AQUATEC - 230V - 3.0GPM - 70PSI - QD PORTS - NO CORD
PDP5500-1F12-J526	AQUATEC - 115V - 70PSI - 2.85GPM - QD PORTS - CORD - EVERPURE
PDP5500-1F12-J586	AQUATEC - 115V - 2.35GPM - 70PSI - QD PORTS - CORD
PDP5500-1F12-J706	AQUATEC - 230V - 3.0GPM - 70PSI - QD PORTS - CORD/NO PLUG
PDP5500-1G01-B666	AQUATEC - 12VDC - 2.5 GPM - 80PSI - QD PORTS - STEEL
PDP5500-2B02-N586	AQUATEC - 115V - 40PSI BYPASS - 2.35GPM - QD PORTS - CORD
PDP5500-2E12-B576	AQUATEC - 115V - 60PSI BYPASS - QD PORTS - NO CORD
PDP5500-2F03-B426	AQUATEC - 24VAC - 70PSI BYPASS - 1.7 GPM - QD PORTS - NO CORD
PDP5500-2F12-N576	AQUATEC - 115V - 70PSI - 1.76 GPM - BYPASS - QD PORTS - CORD
PDP5500-2HM1-J526	AQUATEC - 115V-90 PSI BYPASS-2.85 GPM-QD PORTS-CORD

<u>PART NUMBER</u>	<u>ITEM DESCRIPTION</u>
PDP5501-1E12-B526	AQUATEC - 115V - 60PSI - 3.6GPM - QD PORTS - NO CORD
PDP5501-1E12-J576	AQUATEC - 115V - 60PSI - 2.25GPM - QD PORTS - CORD
PDP5501-1F87-0668	AQUATEC - 12VDC/1600RPM - 2.9 GPM - 70PSI - NYLON HOUSING - GEOLAST DIAPHRAGM - VITON ...
PDP5501-1FF2-J586	AQUATEC - 115V - 70PSI - 2.80GPM - QD PORTS - CORD - PE SHIELD
PDP5501-2D01-B706	AQUATEC - 230VAC - 50PSI BYPASS - 3.50GPM - QD PORTS - NO CORD
PDP5501-2D01-N526	AQUATEC - 3.6 GPM - 115VAC - 50PSI BYPASS - QD PORTS - CORD
PDP5501-2D01-V578	AQUATEC - 115V - 50PSI BYPASS - 2.25GPM - QD PORTS - W/ LEAD WIRES ONLY - EMI/RFI
PDP5501-2D12-N576	AQUATEC - 115V - 50PSI BYPASS - 1.75GPM - QD PORTS - CORD
PDP5501-2D12-N586	AQUATEC - 115V - 50PSI BYPASS - 2.78GPM - QD PORTS - CORD
PDP5501-2E12-B526	AQUATEC - 115VAC-60 PSI BYPASS-3.60 GPM- QD PORTS-NO CORD
PDP5501-2FB1-B596	AQUATEC - 24VDC - 70PSI BYPASS - 2.0GPM - QD PORTS - EPDM- NO CORD
PDP5501-2FE1-B596	AQUATEC - 24VDC - 70PSI BYPASS - 2.0GPM - QD PORTS - BUNA - NO CORD
PDP5500-2HM1-J526	AQUATEC - 115V-90 PSI BYPASS-2.85 GPM-QD PORTS-CORD

NOTE: THESE PUMPS REQUIRE FITTINGS SHOWN ON PAGE # 01-60 & 61

WATER TREATMENT

Pumps & Accessories - Aquatec & Nuert

Aquatec Pumps - Demand Delivery Pumps



DEMAND DELIVERY PUMPS - 5500 SERIES (3/4" QUAD PORTS)



<u>PART NUMBER</u>	<u>ITEM DESCRIPTION</u>
PDP5502-1E01-B666	AQUATEC - 12VDC - 3.4 GPM - 60PSI - NYLON PH W/ QD PORTS - STEEL
PDP5502-1E12-J526UR	AQUATEC - 115V - 60PSI - 4.3GPM - QD PORTS - UR - CORD
PDP5502-1E15-B666	AQUATEC - 12VDC - 3.4 GPM - 60PSI - QD PORTS - STEEL
PDP5502-1H12-B726	AQUATEC - 24VDC - 90PSI - 3.25GPM - QUAD PORTS - NO CORD
PDP5502-2D12-B738	AQUATEC - 24VDC - 60PSI BYPASS - 3.25GPM - QUAD PORTS - NO CORD-STEEL(HIGH PROFILE, NAR...
PDP5502-2E12-B666	AQUATEC - 12VDC - BYPASS 60PSI - 3.4 GPM - QUAD PORTS - STEEL BRACKET
PDP5502-2E12-B726	AQUATEC - 24VDC - 60PSI BYPASS - 3.25GPM - QUAD PORTS - NO CORD
PDP5502-2GC1-B526	AQUATEC - 115V - 80PSI BYPASS - QD PORTS - VITON ORING - NO CORD
PDP5502-2GC1-B706	AQUATEC - 230V - 80PSI BYPASS - 4.25GPM - QD PORTS - VITON ORING - NO CORD

NOTE: THESE PUMPS REQUIRE FITTINGS SHOWN ON PAGE # 01-60 & 61



PRECISION
INSTALLATION
PRODUCTS



aquatec

WATER TREATMENT

Pumps & Accessories - Aquatec & Nuert

Aquatec Pumps - Demand Delivery Pumps

DEMAND DELIVERY PUMPS - 5500 SERIES (3/4" QUAD PORTS)



<u>PART NUMBER</u>	<u>ITEM DESCRIPTION</u>
PDP5503-1B01-B706	AQUATEC - 230V - 40PSI - QD PORTS - BB MOTOR - NO CORD
PDP5503-1D12-B636	AQUATEC - 12VDC - 50PSI - 5.30GPM - QD PORTS - NO CORD
PDP5503-1D12-B736	AQUATEC - 24VDC/2200RPM - 50PSI - 5.15GPM - QD PORTS - WIDE STEEL BRKT
PDP5503-1D12-D736	AQUATEC - 24VDC/2200RPM - PUMP HEAD ROTATED 180° (RIGHT TO LEFT FLOW) - 50PSI - 5.15GPM...
PDP5503-1E02-J526	AQUATEC - 115V - 60PSI - 4.90GPM - QD PORTS - NYLON PUMPHEAD - CORD
PDP5503-1E02-J586	AQUATEC - 115V - 60PSI - 3.50GPM - QD PORTS - NYLON PUMP HEAD - CORD
PDP5503-1E02-J606	AQUATEC - 60PSI - 115V - 6.00GPM - QD PORTS - NYLON PUMPHEAD - CORD
PDP5503-1E12-J526	AQUATEC - 115V - 60PSI - 4.90GPM - QD PORTS - CORD
PDP5503-1F01-V706	AQUATEC - 230V - 4.50GPM - 70PSI - NYLON HOUSING - 3/4" QD PORTS - CORD W/ EMI/RFI
PDP5503-1FE1-B706	AQUATEC - 230V - 70PSI - 4.50GPM - ENHANCED MOTOR - QD PORTS - NO CORD
PDP5503-1FE1-J526	AQUATEC - 115V - 70PSI - 4.90GPM - ENHANCED MOTOR - QD PORTS - CORD
PDP5503-1H77-B726	AQUATEC - 24VDC - 90 PSI SWITCH - 3.5GPM - VITON SEALS & DIAPHRAGM - QUAD PORTS - NO CORD
PDP5503-2D12-N524	AQUATEC - 115 VOLT - 50 PSI BYPASS - 4.9 GPM - QD PORTS - CORD
PDP5503-2D12-N586	AQUATEC - 115V - 50PSI BYPASS - 3.50GPM - QD PORTS - CORD
PDP5503-2D77-N586	AQUATEC - 115VAC - 50PSI BYPASS - 3.50GPM - VITON SEALS - QD PORTS - CORD
PDP5503-2E6E-L586	AQUATEC - 115V (MOTOR SEALED) - 60PSI BYPS - NYLON HEAD / VITON VALVES & ORINGS / SANTO...
PDP5503-2G12-N606	AQUATEC - 115V - 80PSI BYPASS - 6.0GPM - QD PORTS - CORD W/NO SWITCH WIRES

<u>PART NUMBER</u>	<u>ITEM DESCRIPTION</u>
PDP5508-1GP1-B588	AQUATEC - 115VAC - 80PSI - 3.5GPM - QD PORTS - NO CORD - POLYPROP HEAD - PE SHIELD - CO...

NOTE: THESE PUMPS REQUIRE FITTINGS SHOWN ON PAGE # 01-60 & 61

WATER TREATMENT

Pumps & Accessories - Aquatec & Nuert

Aquatec Pumps - Demand Delivery Pumps



DEMAND DELIVERY PUMPS - 5500 SERIES (1/2" FPT PORTS)



<u>PART NUMBER</u>	<u>ITEM DESCRIPTION</u>
PDP5510-1B12-B526	AQUATEC - 115V-40 PSI- 2.85 GPM- 1/2" FPT PORTS- NO CORD
PDP5510-1D02-B636	AQUATEC - 12VDC - 50PSI - 2.75 GPM - NYLON PUMP HEAD - NO CORD
PDP5510-1D12-0586UR	AQUATEC - 115V - 50PSI - 2.35 GPM - 1/2"FPT - UL APPROVED - NO CORD
PDP5510-1D12-B586	AQUATEC - 115V - 50PSI - 2.35GPM - 1/2"FPT - NO CORD
PDP5510-1E01-B586	AQUATEC - 115V - 60PSI - 2.35GPM - 1/2"FPT - NYLON PUMP HEAD - NO CORD
PDP5510-1E12-B636	AQUATEC - 12VDC - 60PSI - 2.75GPM - 1/2"FPT - NO CORD
PDP5510-1E12-B716	AQUATEC - 230V - 2.45GPM - 60PSI - 1/2"FPT - NO CORD
PDP5510-1E12-J526	AQUATEC - 115V - 60PSI - 2.85GPM - 1/2"FPT - WITH CORD
PDP5510-1E12-J576	AQUATEC - 115V - 60PSI - 1.75GPM - 1/2"FPT - CORD
PDP5510-1F12-B636	AQUATEC - 12VDC - 70PSI - 2.75GPM - 1/2"FPT - NO CORD
PDP5510-2E12-B726	AQUATEC - 24VDC-60 PSI BYPASS-2.25 GPM-1/2" FPT PORTS-NO CORD
PDP5510-2F12-V726	AQUATEC - 24VDC - 70 PSI BYPASS - 2.25 GPM - 1/2" FPT PORTS - W/ LEAD WIRES ONLY - EMI/RFI
PDP5510-2I02-B586	AQUATEC - 115V - 100PSI BYPASS - 2.35 GPM - 1/2"FPT - NO CORD
PDP5510-2K12-V596	AQUATEC - 24VDC-120 PSI BYSPASS-1/2" FPT-W/LEAD WIRES ONLY- EMI/RF1
PDP5503-2D77-N586	AQUATEC - 115VAC - 50PSI BYPASS - 3.50GPM - VITON SEALS - QD PORTS - CORD
PDP5503-2E6E-L586	AQUATEC - 115V (MOTOR SEALED) - 60PSI BYPS - NYLON HEAD / VITON VALVES & ORINGS / SANTO...
PDP5503-2G12-N606	AQUATEC - 115V - 80PSI BYPASS - 6.0GPM - QD PORTS - CORD W/NO SWITCH WIRES



PRECISION
INSTALLATION
PRODUCTS



aquatec

WATER TREATMENT

Pumps & Accessories - Aquatec & Nuert

Aquatec Pumps - Demand Delivery Pumps

DEMAND DELIVERY PUMPS - 5500 SERIES (1/2" FPT PORTS)



<u>PART NUMBER</u>	<u>ITEM DESCRIPTION</u>
PDP5511-1D77-M638	AQUATEC - 12VDC - 50PSI - 3.35GPM - 1/2"FPT - VITON VALVES - COATED MOTOR - AGRICULTURE
PDP5511-1E01-B526	AQUATEC - 115V - 60PSI - 3.60GPM - 1/2"FPT - NO CORD
PDP5511-1E12-B596	AQUATEC - 24VDC - 60 PSI - 2.0 GPM - 1/2" FPT PORTS - NO CORD
PDP5511-1E12-B636	AQUATEC - 12VDC - 60PSI - 3.35GPM - 1/2"FPT - NO CORD
PDP5511-1E12-J526	AQUATEC - 115V - 60PSI - 3.60GPM - 1/2"FPT - WITH CORD
PDP5511-1E12-J576	AQUATEC - 115V - 60PSI - 2.25GPM - 1/2"FPT - CORD
PDP5511-1E12-J586	AQUATEC - 115V - 60PSI - 2.78GPM - 1/2"FPT - CORD
PDP5511-1E12-V726	AQUATEC - 24VDC - 2.7GPM - 60PSI - 1/2"FPT - W/ LEAD WIRES ONLY - EMI/RFI
PDP5511-1F01-B596	AQUATEC - 24VDC - 70PSI - 2.0 GPM - 1/2"FPT PORTS - NO CORD
PDP5511-1F01-V726	AQUATEC - 24VDC - 2.7GPM - 70PSI - 1/2"FPT - W/ LEAD WIRES ONLY - EMI/RFI
PDP5511-1F12-B638	AQUATEC - 12VDC - 70PSI - 3.35 GPM - 1/2"FPT - NO CORD
PDP5511-1I77-J586	AQUATEC - 115VAC - 100PSI - 2.30GPM - VITON SEALS - CORD
PDP5500-2HM1-J526	AQUATEC - 115V-90 PSI BYPASS-2.85 GPM-QD PORTS-CORD

WATER TREATMENT

Pumps & Accessories - Aquatec & Nuert

Aquatec Pumps - Demand Delivery Pumps



DEMAND DELIVERY PUMPS - 5500 SERIES (1/2" FPT PORTS)



<u>PART NUMBER</u>	<u>ITEM DESCRIPTION</u>
PDP5512-1B12-B736	AQUATEC - 24VDC - 2200 RPM - 40 PSI SWITCH - 4.5 GPM - 1/2" FPT - WIDE STEEL BRACKET
PDP5512-1D12-0586UR	AQUATEC - 115V - 3.2GPM - 50PSI - 1/2" FPT - UR
PDP5512-1E02-B636	AQUATEC - 12VDC - 60PSI - 4.25GPM - 1/2" FPT - NO CORD
PDP5512-1E12-B586	AQUATEC - 115V - 3.2GPM - 60PSI - 1/2" FPT - NO CORD
PDP5512-1E12-B636	AQUATEC - 12VDC - 60PSI - 4.25GPM - 1/2" FPT - NO CORD
PDP5512-1E12-B666	AQUATEC - 12VDC - 3.4 GPM - 60PSI - 1/2" FPT PORTS - NO CORD/PLUG
PDP5512-1E12-B726	AQUATEC - 24VDC - 60PSI - 3.25GPM - NO CORD
PDP5512-1E12-B736	AQUATEC - 24VDC/2200RPM - 60PSI - 4.5GPM - 1/2" FPT - WIDE STEEL BRKT
PDP5512-1E12-J586	AQUATEC - 115V - 60PSI - 3.20GPM - 1/2" FPT - CORD
PDP5512-1E12-J716	AQUATEC - 230V - 3.25GPM - 60PSI - 1/2" FPT PORTS - CORD W/ SCHUKO PLUG
PDP5512-1E77-M668	AQUATEC - 12VDC - 3.40GPM - 1/2" FPT - VITON SEALS - COATED MOTOR
PDP5512-1F01-B636	AQUATEC - 12VDC - 70PSI - 4.25GPM - 1/2" FPT PORTS - NO CORD/ PLUG - NYLON PH
PDP5512-1F01-J706	AQUATEC - 230V - 70PSI - 4.25 GPM - 1/2" FPT PORTS - CORD W/ SCHUKO PLUG - NYLON PH
PDP5512-1F02-J526	AQUATEC - 115V - 70PSI - 4.30GPM - 1/2" FPT - CORD
PDP5512-2B77-B726	AQUATEC - 24VDC - 40PSI BYPASS - 3.25GPM - VITON SEALS - NO CORD
PDP5512-2E12-B736	AQUATEC - 24VDC/2200RPM - 60PSI BYPASS - 4.5GPM - 1/2" FPT - WIDE STEEL BRKT
PDP5512-2H12-B586	AQUATEC - 115V - 90PSI BYPASS - 3.2GPM - 1/2" FPT - NO CORD



PRECISION
INSTALLATION
PRODUCTS



aquatec

WATER TREATMENT

Pumps & Accessories - Aquatec & Nuert

Aquatec Pumps - Demand Delivery Pumps

DEMAND DELIVERY PUMPS - 5500 SERIES (1/2" FPT PORTS)



<u>PART NUMBER</u>	<u>ITEM DESCRIPTION</u>
PDP5513-1B12-B726	AQUATEC - 24VDC - 40PSI - 3.50GPM - NO CORD
PDP5513-1C02-J586	AQUATEC - 115V - 45PSI - 3.50GPM - 1/2"FPT - CORD
PDP5513-1E01-B526	AQUATEC - 115 V - 60 PSI - 4.9 GPM - 1/2" FPT PORTS - NO CORD
PDP5513-1E01-J706	AQUATEC - 230V - 60PSI - 4.50GPM - NYLON HOUSING - 1/2"FPT - CORD W/ PLUG
PDP5513-1E02-J606	AQUATEC - 115V - 60PSI - 6.00GPM - NYLON HOUSING - 1/2"FPT - CORD W/ PLUG
PDP5513-1E12-B526	AQUATEC - 115V - 60PSI - 4.90GPM - 1/2"FPT - NO CORD
PDP5513-1E12-B606	AQUATEC - 115V - 60PSI - 6.00GPM - 1/2" FPT - NO CORD
PDP5513-1E12-B636	AQUATEC - 12VDC - 60PSI - 5.30GPM - 1/2"FPT - NO CORD
PDP5513-1E12-B706	AQUATEC - 230V - 60PSI - 4.50GPM - 1/2"FPT - NO CORD
PDP5513-1E12-B736	AQUATEC - 24VDC/2200RPM - 60PSI - 5.15GPM - 1/2"FPT - WIDE STEEL BRKT
PDP5513-1E12-J526	AQUATEC - 115V - 60PSI - 4.90GPM - 1/2"FPT - CORD
PDP5513-1E12-J586	AQUATEC - 115V - 60PSI - 3.50GPM - 1/2"FPT - CORD
PDP5513-1E12-J606	AQUATEC - 60PSI - 115V - 6.00GPM - 1/2"FPT - CORD
PDP5513-1E12-U526	AQUATEC - 115V - 60PSI - 4.90GPM - 1/2"FPT - CORD-SWITCH WIRES WITH 180* FRONT END BELL...
PDP5513-1E12-V706	AQUATEC - 230V - 4.50GPM - 60PSI - 1/2" FPT - CORD W/ EMI/RFI
PDP5513-1E12-V726	AQUATEC - 24VDC - 3.50GPM - 60PSI - 1/2"FPT - W/ LEAD WIRES ONLY - EMI/RFI
PDP5513-1E61-V726	AQUATEC - 24VDC - 60PSI - 3.50GPM - 1/2"FPT - VITON VALVES/ORINGS - W/ LEAD WIRES ONLY ...
PDP5513-1E77-M638	AQUATEC - 12VDC - 60 PSI - 1/2"FPT - 5.3 GPM - VITON VALVES - COATED MOTOR
PDP5513-1E89-M638	AQUATEC - 12VDC - 60PSI - VITON VALVE - GEOLAST DIAPHRAGM - 5.3GPM - 1/2FPT-COATED MOTOR
PDP5513-1EN1-O636	AQUATEC - 12VDC - 60PSI - 1/2"FPT - NOT ROTATED
PDP5513-1F12-B636	AQUATEC - 12VDC - 70PSI - 5.30GPM - 1/2"FPT - NO CORD
PDP5513-1F77-M638	AQUATEC - 12VDC - 70PSI - 1/2"FPT - VITON VALVES - COATED MOTOR - AGRICULTURE
PDP5513-2D12-N524	AQUATEC - 115V - 50PSI BYPASS - 4.90GPM - 1/2"FPT - CORD
PDP5513-2E12-B636	AQUATEC - 12VDC - 60PSI BYPASS - 5.30GPM - 1/2"FPT - NO CORD
PDP5513-2F12-N528	AQUATEC - 115V - 70PSI BYPASS - 4.90GPM - CORD

WATER TREATMENT

Pumps & Accessories - Aquatec & Nuert
Aquatec Pumps - Demand Delivery Pumps



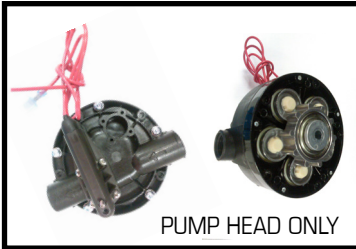
DEMAND DELIVERY PUMPS - 5500 SERIES (1/2" FPT PORTS)



<u>PART NUMBER</u>	<u>ITEM DESCRIPTION</u>
PDP5516-1EN2-V726	AQUATEC - 24VDC - 2.7GPM-60PSI - PE SHIELD - COATED WOBBLER - 1/2" FPT PORTS - W/ LEAD WIRES...

<u>PART NUMBER</u>	<u>ITEM DESCRIPTION</u>
PDP5518-1FN2-J526	AQUATEC - 115V - 4.9GPM - 70PSI - PE SHIELD - COATED WOBBLER - 1/2" FPT PORTS - W/ CORD - ST...

REPAIR PARTS FOR 5500 SERIES DEMAND DELIVERY PUMPS



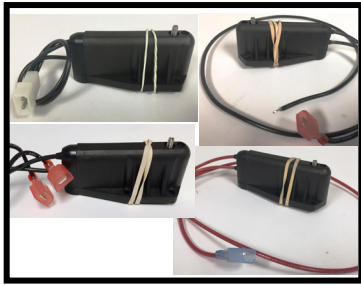
<u>PART NUMBER</u>	<u>ITEM DESCRIPTION</u>
PDP5500-2D12	AQUATEC 5500-2D12 COMPLETE PUMP HEAD ASSEMBLY ONLY
PDP5500-2E12	AQUATEC 5500-2E12 COMPLETE PUMP HEAD ASSEMBLY ONLY
PDP5501-2E12	AQUATEC 5501-2E12 COMPLETE PUMP HEAD ASSEMBLY
PDP5501-2E12-B526-HEAD	AQUATEC 5501-2E12-B526 COMPLETE PUMP HEAD ASSEMBLY ONLY
PDP5501-2FB1-B596-LHA	AQUATEC LOWER HOUSING ASSEMBLY FOR 5501-2FB1-B596
PDP5502-1E12	AQUATEC 5502-1E12 COMPLETE PUMP HEAD ASSEMBLY ONLY
PDP5502-2D12	AQUATEC 5502-2D12 COMPLETE PUMP HEAD ASSEMBLY ONLY
PDP5502-2E12-B726-HEAD	AQUATEC 5502-2E12-B726 COMPLETE PUMP HEAD ASSEMBLY ONLY
PDP5503-1E02-J586-VHA	AQUATEC VALVE HOUSING ASSEMBLY FOR 5503-1E02-J586
PDP5510-1E12-12VDC	AQUATEC 5510-1E12 COMPLETE PUMP HEAD ASSEMBLY - FOR 12VDC PUMPS
PDP5510-2E12-B726-HEAD	AQUATEC 5510-2E12-B726 COMPLETE PUMP HEAD ASSEMBLY ONLY
PDP5511-1E12	AQUATEC 5511-1E12 COMPLETE PUMP HEAD ASSEMBLY
PDP5512-1E02	AQUATEC 5512-1E01 COMPLETE PUMP HEAD ASSEMBLY
PDP5512-1E12	AQUATEC 5512-1E12 COMPLETE PUMP HEAD ASSEMBLY
PDP5512-2B77	AQUATEC 5512-2B77 PUMP HEAD ASSEMBLY ONLY - W/ VITON SEALS
PDP5512-2B77-B726-LHA	AQUATEC LOWER HOUSING ASSEMBLY FOR 5512-2B77-B726
PDP5513-1E12-115V(J1)	AQUATEC 5513-1E12 PUMP HEAD ASSEMBLY ONLY - FOR 115V PUMPS W/ MATE N' LOCK CONNECTOR
PDP5513-1E12-115V(-JO)	AQUATEC 5513-1E12 PUMP HEAD ASSEMBLY ONLY - FOR 115V PUMPS W/ RED SPADE CONNECTORS
PDP5513-1E12-12VDC	AQUATEC 5513-1E12 PUMP HEAD ASSEMBLY ONLY - FOR 12VDC PUMPS
PDP5513-1E77	AQUATEC 5513-1E77 PUMP HEAD ASSEMBLY ONLY - W/ VITON SEALS
PDP5513-1F77	AQUATEC 5513-1F77 PUMP HEAD ASSEMBLY ONLY - W/ VITON SEALS
PDP5513-2F12	AQUATEC 5513-2F12 COMPLETE PUMP HEAD ASSEMBLY ONLY

WATER TREATMENT

Pumps & Accessories - Aquatec & Nuert
Aquatec Pumps - Demand Delivery Pumps



REPAIR PARTS FOR 5500 SERIES DEMAND DELIVERY PUMPS



<u>PART NUMBER</u>	<u>ITEM DESCRIPTION</u>
PDP5518-1FN2-J526-EBK	AQUATEC BRUSH KIT FOR 5518-1FN2-J526 MODEL ONLY
PSW-580B	AQUATEC PRESSURE SWITCH - FOR 550 SERIES, 115V, NO CORD - (1) 6" BLACK LEAD W/ RED SPADE CONNECT...
PSW-580B-J1	AQUATEC PRESSURE SWITCH - FOR 550 SERIES, 115V, CORDED - (2) 6" BLACK LEADS TO MATE N' LOCK CONN...
PSW-580B-J0	AQUATEC PRESSURE SWITCH - FOR 550 SERIES, 115V, CORDED - (2) 6" BLACK LEADS W/ RED SPADE CONNECTORS
PSW-580R	AQUATEC PRESSURE SWITCH - FOR 550 SERIES, 12VDC OR 24VDC - (1) 6" RED LEAD W/ RED SPADE CONNECTO...

TRANSFER PUMPS PDP5800 & PDP7800 DELIVERY DEMAND PUMPS

DISTINGUISHING FEATURES:

- 3 chamber construction
- Closed impervious diaphragm
- Asymmetrical manifold
- Integral switch or bypass
- Highest structural integrity
- Seven point clamping
- Engineered composite plastics
- Corrosion resistant metal
- Multiple porting options
- DC and AC motors



PDP5852-1E12-B574

The 5800/7800 Series utilizes Aquatec's patented multi-chamber configuration. Its applications range from delivering purified water from atmospheric storage tanks on demand to meeting the requirements of high pressure spraying and misting systems. Some typical uses include: coffee maker, refrigerator ice maker, post mix dispenser, filter systems, misting systems.

The 5800/7800 is controlled by an optional built-in pressure sensing demand switch. When a faucet or valve is open downstream of the pump, the line pressure drops and the pump automatically starts, conversely, when the valve closes, the line pressure will increase, turning the pump off automatically.

In comparison tests, the 5800/7800 series of pumps from Aquatec prove to be more efficient, quieter and more reliable than competitive models. This series is available in Flows from .5 GPM to 1.90 GPM and Pressures up to 160 PSI.

The standard 5850 version comes with 3/8" JG built-in fittings on the inlet and outlet port.

The standard 7860 version comes with 5/8" quick disconnect on the inlet and outlet port.

WATER TREATMENT

Pumps & Accessories - Aquatec & Nuert

Aquatec Pumps - Demand Delivery Pumps



TRANSFER PUMPS PDP5800 & PDP7800

KEY OPERATIONAL BENETS:

- .25 to 1.7 GPM (5 lpm) flow
- Up to 160 psi (10 bars) pressur
- Adjustable switch and bypass settings
- Chemically resistant versions
- Minimal pulsations
- Whisper quiet at lower flows
- Self priming
- Can run dry without damage
- Auto purging
- 7 year design life
- Highly efficient

TECHNICAL SPECIFICATIONS:

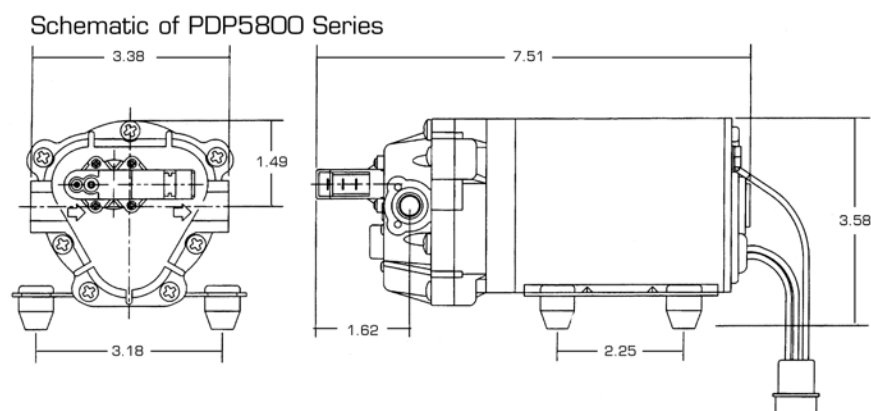
OPERATION: The 5800/7800 pumps can draw water from a holding tank and pressurize it, or boost the pressure from a low pressure source. They are designed to operate intermittently, but most versions can run continuously for several hour intervals. The pumps can be operated in demand mode controlled by and integral pressure switch, or in delivery mode controlled by an external power switching device. An integral bypass may be used to limit pressure. **POWER:** The power demand varies depending on flow and pressure from 25W to 100W. Motors are available in various configurations from 12VDC to 230 VAC. Transformers or DC power supplies are optional and must be ordered separately if applicable. Standard connections are 12" long 16 AWG lead wires with a stripped end, connectors or cords with plugs.

MOUNTING: A standard steel mounting base with four hollow rubber grommets is included: [4 - Steel, low profile, narrow 1.95, 2.35-2.25x3.18].

A custom base plate may be ordered. Specifications are: [6 - Steel, high profile, wide 1.95, 2.35, 3.15-2.5x4.25]. [8 - Steel, high profile, narrow 1.95, 2.35, 3.15-2.25 & 2.90].

A flex [1] or universal [3] bracket may be used with a 24VAC motor.

FITTINGS: The 5850 pump is offered with an integral John Guest style-Quick Connect push-in fitting for 3/8" OD semi-rigid tubing. The 7860 pump is offered with an Quick Disconnect (QD) 5/8" ports that accept 7800 series pump fittings.





PRECISION
INSTALLATION
PRODUCTS



aquatec

WATER TREATMENT

Pumps & Accessories - Aquatec & Nuert

Aquatec Pumps - Demand Delivery Pumps

DEMAND DELIVERY PUMPS - 5800 SERIES (1/4" JG PORTS)



<u>PART NUMBER</u>	<u>ITEM DESCRIPTION</u>
PDP5840-2P02-V544	AQUATEC - 12VDC - 160 PSI BYPASS - EMI/RFI PROTECTION - 1/4" JG - NO CORD
PDP5841-2FM1-V594	AQUATEC - 24VDC - 0.50GPM - 70PSI BYPASS - COATED WOBBLER - 1/4"JG - NO CORD W/ EMI/RFI..
PDP5842-2F01-B724	AQUATEC - 0.9 GPM - 70 PSI BYPASS-24VDC-1/4" JG-STEEL BRACKET-LASERS/PRINTERS
PDP5842-2F02-B594	AQUATEC - 24VDC - 70PSI BYPASS - 0.62GPM - 1/4JG - NO CORD
PDP5842-2H01-N581-UR	AQUATEC - 115 V - 1.2GPM - 90PSI BYPASS - 1/4" JG - WITH CORD AND UL - FLEX BRACKET
PDP5842-2I01-N584	AQUATEC - 115V - 100PSI BYPASS - 1.10GPM - 1/4"JG - CORD
PDP5843-2K01-B664	AQUATEC - 12VDC - 120PSI BYPASS - 1.2 GPM - 1/4" JG -NYLON/ EPDM/SANTOPRENE - STEEL
PDP5843-2K12-V724	AQUATEC - 24VDC-120 PSI BYPASS-1 GPM-1/4" JG-W/LEAD WIRES ONLY-EMI/RFI
PDP5843-2S0D-B744	AQUATEC - 200 PSI BYPASS-1/4JG-12VDC-REINFORCED DIAPHRAGM-METHANOL INJECT USE
PDP5843-8D02-B754	AQUATEC - 12VDC - 50PSI BYPASS - 0.35GPM - 1/4"JG - NO CORD - PRINTERS/LASERS
PDP5843-8D02-B544	AQUATEC - 12VDC - 50PSI BYPASS - 1/4"JG - NO CORD - MED BRKT..
PDP5844-2E01-V591	AQUATEC - 24VDC - 0.50GPM - 60PSI BYPASS - 1/4"JG - NO CORD W/ EMI/RFI - FLEX
PDP5844-8E01-B594	AQUATEC - 24VDC - 60PSI BYPASS - 1.0GPM - 1/4" JG - NO CORD
PDP5844-8F01-B594	AQUATEC - 24VDC - 70PSI BYPASS - 0.95GPM - 1/4" JG - NO CORD
PDP5846-2NM2-V274	AQUATEC - 2.5 DEG CAM - 150 BYPS - NESBPE - 1/4"JG - LEAD WIRES W/ EMI/RFI ONLY
PDP5512-2B77-B726-LHA	AQUATEC LOWER HOUSING ASSEMBLY FOR 5512-2B77-B726
PDP5513-1E12-115V(J1)	AQUATEC 5513-1E12 PUMP HEAD ASSEMBLY ONLY - FOR 115V PUMPS W/ MATE N' LOCK CONNECTOR
PDP5513-1E12-115V(JO)	AQUATEC 5513-1E12 PUMP HEAD ASSEMBLY ONLY - FOR 115V PUMPS W/ RED SPADE CONNECTORS
PDP5513-1E12-12VDC	AQUATEC 5513-1E12 PUMP HEAD ASSEMBLY ONLY - FOR 12VDC PUMPS
PDP5513-1E77	AQUATEC 5513-1E77 PUMP HEAD ASSEMBLY ONLY - W/ VITON SEALS
PDP5513-1F77	AQUATEC 5513-1F77 PUMP HEAD ASSEMBLY ONLY - W/ VITON SEALS
PDP5513-2F12	AQUATEC 5513-2F12 COMPLETE PUMP HEAD ASSEMBLY ONLY

WATER TREATMENT

Pumps & Accessories - Aquatec & Nuert

Aquatec Pumps - Demand Delivery Pumps



DEMAND DELIVERY PUMPS - 5800 SERIES (3/8" JG PORTS)



<u>PART NUMBER</u>	<u>ITEM DESCRIPTION</u>
PDP5850-1F12-B423	AQUATEC - 24VAC - 70PSI - 0.55GPM - 3/8"JG - UNIVERSAL BRKT-NO CORD
PDP5850-2D01-V714	AQUATEC - 230V - 50PSI BYPASS - .75 GPM - 3/8"JG - EMI/RFI NOISE SUPPRESSION - NO CORD
PDP5850-2D12-V204	AQUATEC - 24VDC - 50PSI BYPASS - 3/8"JG - W/ LEAD WIRES ONLY - EMI/RFI
PDP5850-2E02-N574	AQUATEC - 60PSI BYPASS - 0.40GPM - 3/8"JG - CORD
PDP5850-2I12-B584	AQUATEC - 115V-100PSI - BYPASS - .8 GPM - 3/8" JG - STEEL BRKT
PDP5850-2K02-N574	AQUATEC - 115V - 120PSI BYPASS - 0.50GPM - 3/8"JG - CORD
PDP5850-2L01-B724	AQUATEC - 24VDC - 130PSI BYPASS - 3/8" JG PORTS - .6 GPM - STEEL BRACKET
PDP5850-2L02-N574	AQUATEC - .5GPM-130PSI BYPASS-3/8"JG-115V-CORD
PDP5850-2P01-V704	AQUATEC - 230V - .5GPM - 160PSI BYPASS - 3/8" JG PORTS - LEAD WIRES - EMI/RFI
PDP5850-2P02-N574	AQUATEC - 115V - 160PSI BYPASS - 0.50GPM - 3/8"JG - CORD
PDP5850-7A12-V204	AQUATEC - 24VDC - 35PSI - 3/8"JG - W/ LEAD WIRES ONLY - EMI/RFI
PDP5850-7D12-B704	AQUATEC - 230V - 50PSI - 1.0GPM - 3/8"JG - NO CORD
PDP5850-7E01-B664	AQUATEC - 12VDC - 60PSI - 0.75GPM - 3/8"JG - NO CORD
PDP5850-7E12-B714	AQUATEC - 230V - 60PSI - 0.82GPM - 3/8"JG - NO CORD
PDP5850-7E12-J574	AQUATEC - 60PSI - 0.64 GPM - 3/8"JG - CORD
PDP5850-7E71-B424	AQUATEC - 60PSI-24VAC-.5GPM-VITON..3/8JG



PRECISION
INSTALLATION
PRODUCTS



aquatec

WATER TREATMENT

Pumps & Accessories - Aquatec & Nuert

Aquatec Pumps - Demand Delivery Pumps

DEMAND DELIVERY PUMPS - 5800 SERIES (3/8" JG PORTS)



<u>PART NUMBER</u>	<u>ITEM DESCRIPTION</u>
PDP5851-1B03-B543	AQUATEC - 12VDC - 40PSI - 0.32GPM - 3/8"JG - NO CORD
PDP5851-1F12-B423	AQUATEC - 24VAC - 70PSI - 0.63GPM - 3/8"JG - UNIVERSAL BRKT-NO CORD
PDP5851-1H02-J574	AQUATEC - 115V - 90PSI - 0.64GPM - 3/8"JG - STEEL - CORD
PDP5851-1I02-V421	AQUATEC - 24VAC - 100PSI - 0.55GPM - FLEX - 3/8"JG - W/ CONNECTORS - EMI/RFI
PDP5851-1I03-B574	AQUATEC - 115V - 0.70GPM - 100 PSI - 3/8" JG - STEEL - NO CORD
PDP5851-2A12-B594	AQUATEC - 24VDC - 35PSI BYPASS - .51GPM - 3/8"JG - STEEL BRACKET
PDP5851-2A12-V204	AQUATEC - 24VDC - 35PSI BYPASS - 3/8"JG - W/ LEAD WIRES ONLY - EMI/RFI
PDP5851-2F12-B984	AQUATEC - 12VDC/ 1750RPM - 0.8GPM - 70PSI BYPASS - 3/8"JG - STEEL - NO CORD
PDP5851-2L02-B424	AQUATEC - 24VAC - 130PSI BYPASS - 0.55GPM - STEEL - NO SWITCH
PDP5851-7E12-B574	AQUATEC - 115VAC - 60PSI - 0.70GPM - 3/8"JG - NO CORD
PDP5851-7E12-B594	AQUATEC - 24VDC - 60PSI - 0.55 GPM - 3/8"JG - NO CORD - STEEL
PDP5851-7E12-J574	AQUATEC - 115 VAC - 60 PSI - 0.70 GPM - 3/8"JG - CORD
PDP5851-7E12-J584	AQUATEC - 115 VAC - 60 PSI - 0.99 GPM - 3/8" JG - CORD
PDP5851-7E12-J714	AQUATEC - 230VAC - 60PSI - 0.93GPM - 3/8"JG - W/ CORD & SCHUKO PLUG - EMI/RFI

WATER TREATMENT

Pumps & Accessories - Aquatec & Nuert

Aquatec Pumps - Demand Delivery Pumps



DEMAND DELIVERY PUMPS - 5800 SERIES (3/8" JG PORTS)



<u>PART NUMBER</u>	<u>ITEM DESCRIPTION</u>
PDP5852-1E02-J574	AQUATEC - 60PSI - 0.83GPM - 115V - 3/8"JG - CORD
PDP5852-1E12-B574	AQUATEC - 115V-60PSI-.83 GPM-3/8"QC PORTS - NO CORD
PDP5852-1E12-J574	AQUATEC - 115V-60PSI-0.83 GPM-3/8"QC PORTS - CORD
PDP5852-1F12-B423	AQUATEC - 24VAC - 70PSI - 0.80GPM - 3/8"JG - UNIVERSAL BRKT-NO CORD
PDP5852-1FH2-B534	AQUATEC - 24VAC - 0.8 GPM - 70PSI - 3/8"JG - EPDM - STARBUCKS
PDP5852-2A12-B594	AQUATEC - 24VDC - 35 PSI BYPASS - 0.62 GPM - 3/8" JG - NO CORD - STEEL BRACKET
PDP5852-2A12-B724	AQUATEC - 24VDC - 35 PSI BYPASS - .92GPM - 3/8" JG PORTS - STEEL BRACKET - NO CORD
PDP5852-2E02-N574	AQUATEC - 115V - 60PSI BYPASS - 0.70GPM - 3/8"JG - CORD
PDP5852-2F01-B724	AQUATEC - 0.9 GPM - 70PSI BYPASS - 24VDC - 3/8" JG - STEEL BRKT - PRINTERS/LASERS
PDP5852-2F02-B594	AQUATEC - .62GPM - 70PSI -BYPASS - 24VDC - 3/8JG - NO CORD - PRINTERS - LASERS
PDP5852-2G12-B421	AQUATEC - 24VAC - 80PSI BYPASS - 0.69GPM - 3/8"JG - FLEX BRKT - W/ CONNECTOR ONLY
PDP5852-2H02-N574	AQUATEC - 115V - .83 GPM - 90 PSI BYPASS - 3/8 JG - CORD
PDP5852-2JB3-S798	AQUATEC - 24VDC - 0.8 GPM - 110PSI BYPASS - DIAPHRAGM SPT
PDP5852-2K77-N584	AQUATEC - 120PSI BYPASS - 1.22GPM - VITON SEALS - 3/8"JG - CORD
PDP5852-2L12-V574	AQUATEC - 115 VOLT- 0.83GPM - 130 PSI BYPASS - 3/8"JG - EMI/RFI NOISE SUPPRESSION - W/ L...
PDP5852-7B12-J584	AQUATEC - 40PSI - 1.22GPM - 3/8"JG - CORD
PDP5852-7D12-B574	AQUATEC - 50PSI - 0.90GPM - 3/8"JG - NO CORD
PDP5852-7D12-B594	AQUATEC - 24VDC - 50PSI - 0.62 GPM - 3/8"JG - NO CORD - STEEL BRACKET
PDP5852-7D12-J574	AQUATEC - 50 PSI - .90 GPM - 3/8" JG - 115 VOLT WITH CORD
PDP5852-7E02-J524	AQUATEC - 60PSI - 1.55GPM - 3/8"JG - CORD
PDP5852-7E12-B584	AQUATEC - 60PSI - 1.22GPM - 3/8"JG - 115V - NO CORD
PDP5852-7E12-B664	AQUATEC D/D PUMP-12VDC-0.9 GPM - 60 PSI SWITCH-3/8" JG - NO CORD
PDP5852-7E12-B718	AQUATEC - 230V - 60PSI - 1.17GPM - 3/8"JG - NO CORD
PDP5852-7E12-J574	AQUATEC - 60PSI - 0.90GPM - 3/8"JG - 115V - CORD
PDP5852-7E12-J584	AQUATEC - 60PSI - 1.22GPM - 3/8"JG - 115V - CORD
PDP5852-7E12-J584-UR	AQUATEC - 60PSI - 1.22GPM - 3/8"JG - CORD - UL APPROVED
PDP5852-7F01-B544	AQUATEC - 12VDC - 0.4-.5GPM - 3/8"JG - NO CORD
PDP5852-7F02-B524	AQUATEC - 70PSI - 1.66GPM - 3/8"JG - NO CORD
PDP5852-7F12-B584	AQUATEC - 110V - 70PSI - 1.22 GPM - 3/8"JG - NO CORD
PDP5852-8I12-V574	AQUATEC - 115V - 0.83GPM - 100PSI BYPASS - 3/8"JG - W/ LEAD WIRES ONLY - EMI/RFI

DEMAND DELIVERY PUMPS - 5800 SERIES (3/8" JG PORTS)



<u>PART NUMBER</u>	<u>ITEM DESCRIPTION</u>
PDP5853-1E12-B424	AQUATEC - 24VAC - 60PSI - 0.90GPM - 3/8"JG - NO CORD
PDP5853-1E12-J524	AQUATEC - 115V - 60PSI - 1.70GPM - CORD - 3/8"JG PORTS
PDP5853-1E12-J574	AQUATEC - 115V - 60PSI - 0.98GPM - 3/8"JG - CORD
PDP5853-1E12-U524	AQUATEC - 115V - 60PSI - 1.70GPM - CORD - SWITCH WIRES WITH 180* FRONT END BELL ROTATION...
PDP5853-1H01-J606	AQUATEC - 115V - 90PSI - 1.75GPM - 3/8"JG - CORD
PDP5853-1I02-J584	AQUATEC - 115V - 100PSI - 1.18GPM - 3/8"JG - CORD
PDP5853-1I12-B524	AQUATEC - 115V - 100PSI - 1.70GPM - NO CORD - 3/8"JG PORTS
PDP5853-1I77-J584	AQUATEC - 115V - 100PSI - 1.4GPM - VITON SEALS & HEAD - 3/8"JG - W/ CORD
PDP5853-2D12-V204	AQUATEC - 24VDC - 50PSI BYPASS - 0.40GPM - 3/8"JG - W/ LEAD WIRES ONLY - EMI/RFI
PDP5853-2E12-N524	AQUATEC - 115V - 60PSI BYPASS - 1.50GPM - 3/8"JG
PDP5853-2G01-B724	AQUATEC - 24VDC - 1 GPM - 80PSI BYPASS - 3/8" JG - STEEL BRKT - PRINTERS/LASERS
PDP5853-2H02-N524	AQUATEC - 115V - 90PSI BYPASS - 1.50GPM - 3/8"JG - CORD
PDP5853-2H02-P704	AQUATEC - 230V - 90PSI BYPASS - 1.30GPM - 3/8"JG - CORD W/ SCHUKO 2 PRONG PLUG - W/ EMI...
PDP5853-2I03-B574	AQUATEC - 115V - 100PSI BYPASS - 0.9 GPM - 3/8"JG - NO CORD - PRINTERS/LASERS
PDP5853-2I03-B584	AQUATEC - 115V - 100PSI BYPASS - 1.18 GPM - 3/8"JG - NO CORD
PDP5853-2J12-V664	AQUATEC - 12VDC - 1.5 GPM - 110 PSI BYPASS - 3/8" JG - W/ LEAD WIRES ONLY - EMI/RFI
PDP5853-2K02-N524	AQUATEC - 115 VOLT - 120 PSI BYPASS - 1.50 GPM - 3/8" JG W/ CORD
PDP5853-2K02-P704	AQUATEC - 230 VOLT - 120 PSI BYPASS - 1.30 GPM - 3/8" JG - CORD W/ SCHUKO 2 PRONG PLUG ...
PDP5853-2K12-0521-UR	AQUATEC - 115V - 120PSI BYPASS - UR RATED
PDP5853-2P67-B664	AQUATEC - VITON VALVES - 160PSI BYPASS - 12VDC - 3/8 JG - STEEL BRKT
PDP5853-2S67-B664	AQUATEC - 200PSI BYPASS - 12VDC - 3/8 JG - STEEL BRKT - 1.2 GPM
PDP5853-2SM1-N574	AQUATEC - HF MISTING PUMP - 200 PSI BYPASS - 0.9 GPM - ENHANCED DISPHRAGM - 115V WITH CORD - 3/8" JG
PDP5853-7E12-B421	AQUATEC - 24VAC - .9GPM - 60PSI - 3/8"JG - FLEX - NO CORD
PDP5853-7E12-B424	AQUATEC - 24VAC - 60PSI - .90 GPM - 3/8"JG - METAL - NO CORD
PDP5853-7E12-B724	AQUATEC - 60PSI - 1.1GPM - 24VDC - 3/8JG - NO CORD, WIRES ONLY - PRINTERS/LASERS
PDP5853-7E12-J524	AQUATEC - 115V - 60PSI - 1.70GPM - 3/8"JG - CORD
PDP5853-7E12-J574	AQUATEC - 115V - 60PSI - 0.98GPM - 3/8"JG - CORD
PDP5853-7E12-J584	AQUATEC - 115V - 60PSI - 1.40GPM - 3/8"JG - CORD

WATER TREATMENT

Pumps & Accessories - Aquatec & Nuert

Aquatec Pumps - Demand Delivery Pumps



DEMAND DELIVERY PUMPS - 5800 SERIES (3/8" JG PORTS)



<u>PART NUMBER</u>	<u>ITEM DESCRIPTION</u>
PDP5853-7F12-B584	AQUATEC - 110V - 70PSI - 1.40GPM - 3/8"JG - NO CORD
PDP5853-8B12-B588	AQUATEC - 115V - 40PSI BYPASS (100PSI FULL BYPASS VALVE LIMIT W/ LARGE HOLE VALVE HOUSI...
PDP5853-8D02-B754	AQUATEC - 12VDC - 50PSI BYPASS - 0.35GPM - 3/8"JG - NO CORD - PRINTERS/LASERS
PDP5853-8D12-B588	AQUATEC - 115V - 50PSI BYPASS (100PSI FULL BYPASS VALVE LIMIT W/ LARGE HOLE VALVE HOUSI...
PDP5853-8V12-B588	AQUATEC - 115V - 65PSI BYPASS (100PSI FULL BYPASS VALVE LIMIT W/ LARGE HOLE VALVE HOUSI...
PDP5853-8V12-B718	AQUATEC - 230V - 65PSI BYPASS (100PSI FULL BYPASS VALVE LIMIT W/ LARGE HOLE VALVE HOUSI...
PDP5853-8V12-B738	AQUATEC - 24VDC/2200RPM - 65PSI BYPASS (100PSI FULL BYPASS VALVE LIMIT W/ LARGE HOLE VA...
PDP5851-2F12-B984	AQUATEC - 12VDC/1750RPM - 0.8GPM - 70PSI BYPASS - 3/8"JG - STEEL - NO CORD
PDP5851-2L02-B424	AQUATEC - 24VAC - 130PSI BYPASS - 0.55GPM - STEEL - NO SWITCH
PDP5851-7E12-B574	AQUATEC - 115VAC - 60PSI - 0.70GPM - 3/8"JG - NO CORD
PDP5851-7E12-B594	AQUATEC - 24VDC - 60PSI - 0.55 GPM - 3/8"JG - NO CORD - STEEL
PDP5851-7E12-J574	AQUATEC - 115 VAC - 60 PSI - 0.70 GPM - 3/8"JG - CORD
PDP5851-7E12-J584	AQUATEC - 115 VAC - 60 PSI - 0.99 GPM - 3/8" JG - CORD
PDP5851-7E12-J714	AQUATEC - 230VAC - 60PSI - 0.93GPM - 3/8"JG - W/ CORD & SCHUKO PLUG - EMI/RFI



PRECISION
INSTALLATION
PRODUCTS



aquatec

WATER TREATMENT

Pumps & Accessories - Aquatec & Nuert

Aquatec Pumps - Demand Delivery Pumps

DEMAND DELIVERY PUMPS - 5800 SERIES (3/8" JG PORTS)



<u>PART NUMBER</u>	<u>ITEM DESCRIPTION</u>
PDP5854-2F01-B724	AQUATEC - 0.9 GPM-70 PSI BYPASS-24VDC-STEEL BRACKET-LASERS/PRINTERS
PDP5854-2L01-B724	AQUATEC - 0.9 GPM-130 PSI BYPASS-24VDC-STEEL BRACKET
PDP5854-2P01-0584-UR	AQUATEC - 115V - 160PSI BYPASS - 1.2GPM-3/8"JG - UL APPROVED
PDP5854-2P01-B714	AQUATEC - 230V - 160 PSI BYPASS - 3/8" JG PORTS - 1.2 GPM - NO CORD
PDP5854-2P01-F584	AQUATEC - 115V - 160PSI BYPASS - 3/8"JG - 1.9GPM - NO CORD (LEAD WIRE ON UL RECOGNIZED ...
PDP5854-2P02-N584	AQUATEC - 115V - 160PSI BYPASS - 1.2GPM-3/8"JG - CORD
PDP5854-2P02-N714	AQUATEC - 230V - 160PSI BYPASS - 1.2GPM -3/8"JG - CORD W/ SCHUKO PLUG
PDP5854-2P61-N584	AQUATEC - 115V - 160PSI BYPS - 1.9GPM - VITON VALVES, ORINGS & SANTO DIAPHRAGM - 3/8"JG...
PDP5854-7B12-B424	AQUATEC - 24VAC - 40PSI - 0.95GPM - 3/8"JG - METAL - NO CORD
PDP5854-7C12-V724	AQUATEC - 45PSI - 1.5GPM -24VDC - 3/8JG - NO CORD, WIRES ONLY W/ EMI/RFI PROTECTION
PDP5854-7E01-B424	AQUATEC - 24VAC - 60PSI - 0.95GPM - 3/8"JG - STEEL BRKT - NO CORD
PDP5854-7E12-J574	AQUATEC - 115V - 60PSI - 1.10GPM - 3/8"JG - CORD
PDP5854-7E12-J714	AQUATEC - 230VAC - 60PSI - 1.40GPM - 3/8"JG - W/ CORD - EMI/RFI
PDP5854-7F12-B574	AQUATEC - 115V-70PSI-1.1 GPM-LEAD WIRES-3/8 JG
PDP5854-7F12-B594	AQUATEC - 24VDC - 70PSI - 0.95GPM - 3/8"JG - NO CORD
PDP5854-7F12-B664	AQUATEC - 1.5GPM - 70PSI - 12VDC - 3/8"JG - NO CORD
PDP5854-7F12-J584	AQUATEC - 1.5GPM - 70PSI - 115V - 3/8"JG - CORD
PDP5854-8E71-B584	AQUATEC - 115V - 60PSI BYPASS - 3/8"JG - VITON - NO CORD

WATER TREATMENT

Pumps & Accessories - Aquatec & Nuert

Aquatec Pumps - Demand Delivery Pumps



REPAIR PARTS FOR 5800 DEMAND DELIVERY PUMPS

<u>PART NUMBER</u>	<u>ITEM DESCRIPTION</u>
PDP5842-2F02	AQUATEC PUMP HEAD PDP5842-2F02
PDP5843-8D01	AQUATEC 5843-8D01 COMPLETE PUMP HEAD
PDP5843-8D02-B754-LHA	AQUATEC LOWER HOUSING ASSEMBLY FOR 5843-8D02-B754
PDP5843-8D02-B754-UHA	AQUATEC UPPER HOUSING ASSEMBLY FOR 5843-8D02-B754
PDP5843-8D02-B754-VHA	AQUATEC VALVE HOUSING ASSEMBLY FOR 5843-8D02-B754
PDP5850-2I12-B584-HEAD	AQUATEC 5850-2I12-B584 COMPLETE PUMP HEAD ASSEMBLY ONLY
PDP5850-2L01-B724-HEAD	AQUATEC 5850-2L01-B724 COMPLETE PUMP HEAD ASSEMBLY ONLY
PDP5850-2P02-N574-HEAD	AQUATEC 5850-2P02-N574 PUMP HEAD ASSEMBLY ONLY
PDP5850-7E12-J574-HEAD	AQUATEC 5850-7E12-J574 PUMP HEAD ASSEMBLY ONLY
PDP5851-2A12	AQUATEC 5851-2A12 COMPLETE PUMP HEAD ASSEMBLY ONLY
PDP5851-2L01	AQUATEC 5851-2I01 COMPLETE PUMP HEAD ASSEMBLY ONLY
PDP5851-7E12	AQUATEC 5851-7E12 PUMP HEAD ASSEMBLY ONLY
PDP5851-7E12-SWITCH	AQUATEC 5850-5851-5852-7E12 PRESSURE SWITCH ONLY
PDP5852-7E12	AQUATEC 5852-7E12 COMPLETE PUMP HEAD ASSEMBLY ONLY
PDP5852-7E12-SWITCH	AQUATEC PDP5852-7E12 PRESSURE SWITCH ONLY
PDP5852-7F12	AQUATEC 5852-7F12 COMPLETE PUMP HEAD ASSY
PDP5853-2D12-V204-HEAD	AQUATEC 5853-2D12-V204 COMPLETE PUMP HEAD ASSEMBLY ONLY
PDP5853-2LM2	AQUATEC 5853-2LM2 COMPLETE PUMP HEAD ASSEMBLY ONLY
PDP5853-2S67	AQUATEC 5853-2S67 PUMP HEAD COMPLETE ASSEMBLY
PDP5853-5U67	AQUATEC 5853-5U67 PUMP HEAD COMPLETE ASSEMBLY
PDP5853-5U67-V574	AQUATEC D/D PUMP - 1.15V - DEMAND @ 55PSI & BYPASS @ 100PSI - 1GPM - EMI/RFI - VITON VALVES/ORING...
PDP5853-5U67-V574-LHA	AQUATEC LOWER HOUSING ASSEMBLY FOR 5853-5U67-V574
PDP5853-5U67-V574-VHA	AQUATEC VITON VALVE HOUSING ASSEMBLY FOR 5853-5U67-V574
PDP5853-7C12-V724	AQUATEC D/D PUMP - 45PSI - 1.1GPM -24VDC - 3/8JG - NO CORD, WIRES ONLY W/ EMI/RFI PROTECTION
PDP5853-7E12	AQUATEC 5853-7E12 COMPLETE PUMP HEAD ONLY-SWITCH INCLUDED
PDP5853-7E12-B724-LHA	AQUATEC LOWER HOUSING ASSEMBLY FOR 5853-7E12-B724
PDP5853-7E12-SWITCH	AQUATEC PRESSURE SWITCH FOR PDP5853-7E12- PUMP
PDP5853-8V12	AQUATEC 5853-8V12 COMPLETE PUMP HEAD ASSEMBLY
PDP5854-2P02	AQUATEC 5854-2P02 PUMP HEAD ASSEMBLY ONLY
PDP5854-2P61-N584-PHK	AQUATEC COMPLETE PUMP HEAD KIT W/ VITON VALVES, ORINGS & SANTOPRENE DIAPHRAMS FOR 5854-2P61-N584
PDP5854-2P61-N584-VHA	AQUATEC VALVE HOUSING ASSY W/ VITON VALVES & ORINGS FOR 5854-2P61-N584



PRECISION
INSTALLATION
PRODUCTS



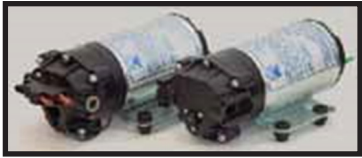
aquatec

WATER TREATMENT

Pumps & Accessories - Aquatec & Nuert

Aquatec Pumps - Demand Delivery Pumps

DEMAMD DELIVERY PUMPS - 5800 SERIES (3/8" FPT PORTS)



<u>PART NUMBER</u>	<u>ITEM DESCRIPTION</u>
PDP5880-8E89-N584	AQUATEC - 115V - 60PSI BYPASS - 0.5GPM - VITON/GEOLAST - 3/8" FPT - STEEL BRACKET
PDP5880-8F01-B744	AQUATEC - 12VDC - 0.77 GPM - 70PSI (100PSI FULL BYPS VALVE LIMIT W/ LARGE HOLE VALVE HOLE
<u>PART NUMBER</u>	<u>ITEM DESCRIPTION</u>
PDP5881-1J03-B574	AQUATEC - 115V - 0.7 GPM - 110 PSI - 3/8" FPT PORTS - STEEL BRACKET - NO CORD
PDP5881-2E01-B744	AQUATEC - 12VDC-60 PSI BYPASS - .9 GPM - 3/8 FPT - NO CORD - STEEL BRACKET
PDP5881-2E01-B794	AQUATEC - 24VDC - 60PSI BYPASS - 0.8 GPM - 3/8" FPT - NO CORD - STEEL BRACKET
<u>PART NUMBER</u>	<u>ITEM DESCRIPTION</u>
PDP5882-2HM2-V594	AQUATEC - 24VDC - 0.60GPM - 90PSI BYPASS - COATED WOBBLER - 3/8" FPT - 12" LEAD WIRES- ...
<u>PART NUMBER</u>	<u>ITEM DESCRIPTION</u>
PDP5883-2D12-B664	AQUATEC D/D PUMP- 1.5 GPM- 3/8" FPT - 12VDC - BYPASS 50PSI - STEEL BRKT
PDP5883-2F12-B736	AQUATEC - 24VDC/2200RPM - 70PSI BYPS - 1.6GPM - 3/8"FPT PORTS - STEEL BRACKET
PDP5883-2G01-B574	AQUATEC - 115V - 80PSI BYPASS - 0.50GPM - 3/8"NPT - NO CORD
PDP5883-2S02-B594	AQUATEC - 24VDC - 200PSI BYPS - 0.71GPM - 3/8"FPT - NO CORD - STEEL BRACKET
PDP5883-2S60-B604	AQUATEC - 115V - 200PSI BYPASS - 1.75GPM - VITON VALVES & ORINGS - 3/8"FPT - NO CORD
PDP5883-2SB1-B524	AQUATEC - 1.5GPM - 115V - 200PSI BYPASS - 3/8"NPT - STEEL BRKT - NO CORD
PDP5883-7E67-B638	AQUATEC - 12VDC - 1.2 GPM - NYLON HEAD & VITON VALVES - 60PSI - 3/8 NPT - STEEL BRACKET

WATER TREATMENT

Pumps & Accessories - Aquatec & Nuert

Aquatec Pumps - Demand Delivery Pumps



DEMAND DELIVERY PUMPS - 5800 SERIES (3/8" FPT PORTS)



<u>PART NUMBER</u>	<u>ITEM DESCRIPTION</u>
PDP5884-1I01-B664	AQUATEC - 12VDC - 1.4GPM - 100 PSI - 3/8" FPT - NO CORD - STEEL
PDP5884-2F12-N584	AQUATEC - 1.5GPM - 70PSI - BYPASS - 115V - 3/8" FPT - CORD
PDP5881-2E01-B794	AQUATEC - 24VDC - 60PSI BYPASS - 0.8 GPM - 3/8" FPT - NO CORD - STEEL

<u>PART NUMBER</u>	<u>ITEM DESCRIPTION</u>
PDP5887-2PM2-B574	AQUATEC - 115V - COATED WOBBLER - 160PSI BYPS - 0.70GPM - 3/8" FPT - NO CORD

<u>PART NUMBER</u>	<u>ITEM DESCRIPTION</u>
PDP5888-2SMD-B724	AQUATEC - METHONAL INJECTION - 200 PSI BYPASS-24VDC-3/8 FPT- STEEL BRACKET

<u>PART NUMBER</u>	<u>ITEM DESCRIPTION</u>
PDP5889-2P12-V704	AQUATEC - 230V - 160PSI BYPASS - 3/8" FPT PORTS - 1.35 GPM - NO CORD

<u>PART NUMBER</u>	<u>ITEM DESCRIPTION</u>
PDP58-FLC-220-12	AQUATEC - 12VDC - 3/8" FPT - 220 PSI BYPS - NYLON/VITON/SANTO - SEALED MOTOR - STEEL BRACKET

REPAIR PARTS FOR 5800 DEMAND DELIVERY PUMPS

<u>PART NUMBER</u>	<u>ITEM DESCRIPTION</u>
PDP5883-7E67	AQUATEC 5883-7E67 PUMP HEAD COMPLETE ASSEMBLY



PRECISION
INSTALLATION
PRODUCTS



aquatec

WATER TREATMENT

Pumps & Accessories - Aquatec & Nuert

Aquatec Pumps - Demand Delivery Pumps

DEMAND DELIVERY PUMPS - 7800 SERIES (5/8" QUAD PORTS)



<u>PART NUMBER</u>	<u>ITEM DESCRIPTION</u>
PDP7864-1J77-B726	AQUATEC D/D PUMP - 24VDC - VITON VALVES - 1.25 GPM - 110 PSI - 5/8" QD PORTS - STEEL - W/LEAD WI.RE
PDP7864-7E01-B664	AQUATEC D/D PUMP - 12VDC - NYLON/EPDM VALVES - 60PSI - 1.5 GPM - 5/8" QD PORTS - STEEL BRKT
PDP7864-7F01-B574	AQUATEC D/D PUMP - 115V - 1.10GPM - 70PSI - 5/8" QD PORTS - STEEL-NO CORD
PDP7864-NIB2-H524UL	AQUATEC D/D PUMP - 115VAC - 1.7GPM - 100PSI - NYLON/ EPDM/ SANTO - 5/8"QD PORTS - PE SHEILD W/ CORD
PDP7864-NIB2-H704	AQUATEC D/D PUMP - 230VAC - 1.7GPM - 100PSI - NYLON/ EPDM/ SANTO - 5/8"QD PORTS - PE SHEILD W/ CORD

REPAIR PARTS FOR 7800 DEMAND DELIVERY PUMPS

<u>PART NUMBER</u>	<u>ITEM DESCRIPTION</u>
PDP7864-NIB2	AQUATEC 7864-NIB2-H524-UL COMPLETE PUMP HEAD ASSEMBLY ONLY

WATER TREATMENT

Pumps & Accessories - Aquatec & Nuert

Aquatec Pumps - Demand Delivery Pumps



DEMAND DELIVERY PUMPS - FATBOY

The Fatboy™. Pumps up the volume with 7 GPM.

Demanding industrial pump environments require precise engineering and quality components—the FatBoy™ was designed with both. To maximize the potential of all five diaphragm chambers, matching it with a high torque, completely sealed motor. For it's size, it is one of the most powerful and productive diaphragm pumps you can buy, pumping up to 7.0 gallons per minute. If your specifications call for low noise, smooth operation, continuous operation and high capacity, the FatBoy™ will meet the challenge.

Typical Applications

- De-icing
- Bulk Transfer
- Starter Fertilizer
- Roof Cleaning
- Heavy Duty Spraying
- High Pressure Cleaning
- Agricultural Spraying



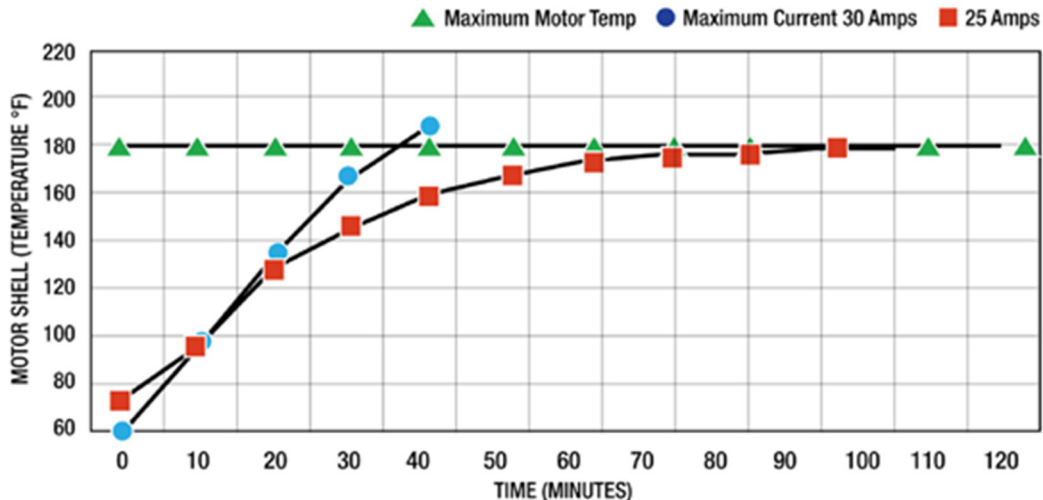
Pump Specifications

- **Type:** 5 chamber positive displacement diaphragm pump, self priming, capable of being run dry, demand or bypass mode
- **Liquid Temperature:** 140°F (60°C) Max.
- **Priming Capabilities:** 14 feet (4 m)
- **Max Pressure:** 150 PSI (10 bar)
- **Inlet/Outlet Ports:** Fatboy 5538: 1/2 " FNPT Fatboy 5518: Remco Quick Attach
- **Weight:** 10 lbs (4.5 kg)

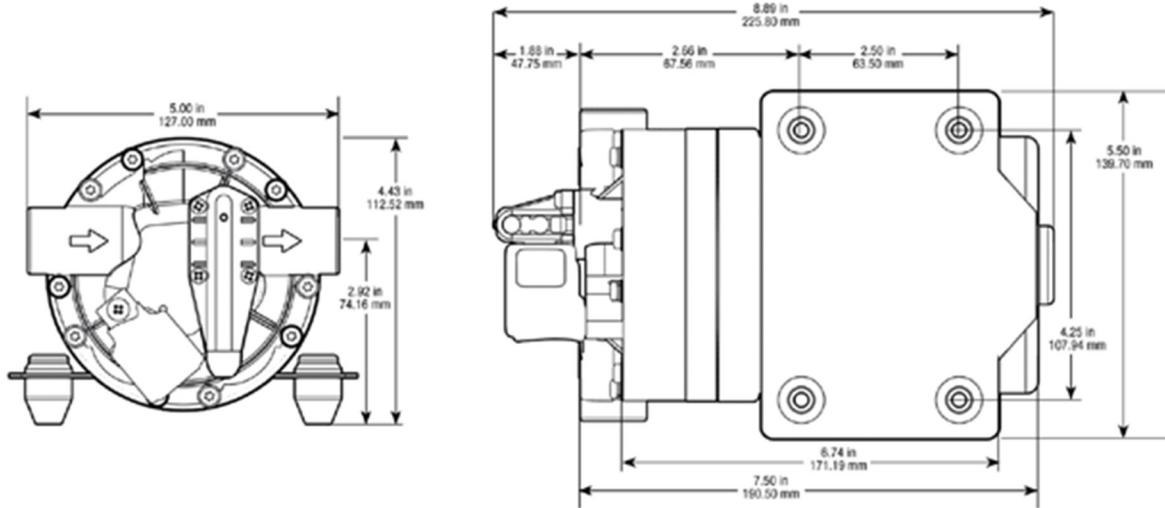
Motor Specifications

- **Type:** 12 VDC permanent magnet, totally enclosed, non-ventilated
- **Leads:** 14 AWG, 12" long
- **Temperature Limits:** Motor is not equipped with thermal protection. For user safety, optimal performance, and maximum motor life, the motor surface temperature should not exceed 180°F (82°C)

Heat Rise Fatboy



DEMAND DELIVERY PUMPS - FATBOY



Materials of Construction

- Pump Housing: Nylon
- Valves: Viton
- Diaphragm: Santoprene
- Fasteners: Stainless steel
- Motor Shell: Coated Steel

Product Highlights

- Made in USA
- Sealed motor
- Heavier wire for low amp draw
- Constant flow working pressures

Performance Fatboy

PSI	GPM	Amps
10	7.00	11.00
20	6.81	12.00
30	6.45	12.00
40	5.96	13.00
50	5.50	15.00
60	4.98	17.00
70	4.41	19.00
80	3.96	21.00
90	3.52	23.00
100	2.55	25.00



WATER TREATMENT

Pumps & Accessories - Aquatec & Nuert
Aquatec Pumps - Demand Delivery Pumps



DEMAND DELIVERY PUMPS - "FATBOY" 4" MOTOR PUMPS



<u>PART NUMBER</u>	<u>ITEM DESCRIPTION</u>
PDP5513-2LM3-B946	AQUATEC D/D FATBOY PUMP - 12VDC - 6GPM - 130PSI BYPASS - 4" MOTOR - 1/2"FPT

<u>PART NUMBER</u>	<u>ITEM DESCRIPTION</u>
PDP5514-2EM3-B946	AQUATEC FATBOY - 7GPM - 12VDC - 60PSI BYPASS - 1/2"FPT

<u>PART NUMBER</u>	<u>ITEM DESCRIPTION</u>
PDP55-SWZ60735	AQUATEC SWEEPER PUMP W/ 4" MOTOR - 12VDC - 3.4GPM - 120 BYPS - 30 AMPS

REPAIR PARTS FOR DEMAND DELIVERY PUMPS - FATBOY

<u>PART NUMBER</u>	<u>ITEM DESCRIPTION</u>
PDP55-SWZHEAD	AQUATEC SWEEPER PUMP HEAD ONLY-NO MOTOR

VARIABLE SPEED PUMPS

Patent-pending "smart pump" technology providing constant pressure at variable flow rates.

550 SERIES VARIABLE SPEED PUMP

DISTINGUISHING FEATURES:

- Constant pressure across multiple outlets
- No accumulator tanks required
- Reduced system bacteria
- Reduced space requirements
- No pressure switches required
- Less system service required
- Plug-and-play performance
- Optional logic interface available
- QD ports



Most automatic demand pumps are designed for a limited flow range. When variable flows are required (i.e. multiple fixtures drawing fluid from a single source), such pumps require a supplementary accumulator tank, and even then, often experience pressure fluctuations of at least 20 psi.

The Aquajet Variable Speed series integrates a state-of-the-art digital controller with our proven 5-valve specialty diaphragm pumps. The result is a patent-pending, intelligent pump series which can maintain constant pressures (within 2 psi) for variable flow rates throughout their operating ranges. Utilizing an integrated pressure transducer, these Aquajet pumps monitor any pressure changes and adjust their operating speeds accordingly. Bulky accumulator tanks and unreliable pressure switches are no longer required.

5-valve variable speed pump. Used in applications that require more flow. Comes with a built-in power cord for ease of installation.

NOTE: THESE PUMPS REQUIRE FITTINGS SHOWN ON PAGE # 01-60 & 61

WATER TREATMENT

Pumps & Accessories - Aquatec & Nuert

Aquatec Pumps - Variable Speed Pumps



VARIABLE SPEED PUMPS

Patent-pending "smart pump" technology providing constant pressure at variable flow rates.

5800 SERIES VARIABLE SPEED PUMP

DISTINGUISHING FEATURES:

- Constant pressure across multiple outlets
- No accumulator tanks required
- Reduced system bacteria
- Reduced space requirements
- No pressure switches required
- Less system service required
- Plug-and-play performance
- Optional logic interface available
- 3/8" John Guest Quick Connect Fittings



Most automatic demand pumps are designed for a limited flow range. When variable flows are required (i.e. multiple fixtures drawing fluid from a single source), such pumps require a supplementary accumulator tank, and even then, often experience pressure fluctuations of at least 20 psi.

The Aquatec Variable Speed series integrates a state-of-the-art digital controller with our proven 3-valve specialty diaphragm pumps. The result is a patent-pending, intelligent pump series which can maintain constant pressures (within 2 psi) for variable flow rates throughout their operating ranges. Utilizing an integrated pressure transducer, these Aquatec pumps monitor any pressure changes and adjust their operating speeds accordingly. Bulky accumulator tanks and unreliable pressure switches are no longer required.

3-valve variable speed pump. Used in applications that require less flow. Comes with a built-in power cord for ease of installation, and John Guest 3/8" built-in cartridges.

VARIABLE SPEED PUMPS - AQUAJET (3/4" QUAD PORTS)



<u>PART NUMBER</u>	<u>ITEM DESCRIPTION</u>
PVP55-AQUAJET-AES	AQUAJET VARIABLE SPEED PUMP - 12VDC - 3.40GPM - QUAD PORT (PACKED W/ TWO QTS-556 1/2" MPT PUMP F..

NOTE: THESE PUMPS COME PACKED WITH 2 QTS-556 FITTINGS (1/2" MPT)

REPAIR PARTS FOR VARIABLE SPEED PUMPS - AQUAJET

<u>PART NUMBER</u>	<u>ITEM DESCRIPTION</u>
PVP55-ARV	AQUATEC COMPLETE HEAD FOR 55-AQUAJET-ARV
25-174	AQUATEC HOSE KIT WITH FITTING FOR 550 RV PUMP

VARIABLE SPEED PUMPS - 5500 SERIES (3/4" QUAD PORTS)



<u>PART NUMBER</u>	<u>ITEM DESCRIPTION</u>
PVP5501-EN2-V77DUL	AQUATEC VARIABLE SPEED PUMP - 60PSI - 0.3-3.8GPM - 3 MINUTE TIMEOUT - 115 VOLT W/ CORD - ENHANCE...
PVP5501-EN2-V89D	AQUATEC VARIABLE SPEED PUMP - 230VAC - 60PSI - 0.0-3.80GPM - THERMAL PROTECTED - EMI/RFI - QD PORT
PVP5501-IVN2-V77DUL	AQUAJET VARIABLE SPEED PUMP - 65PSI - 0.4-4.0 GPM - 3 MINUTE TIME OUT - 115 VOLT W/ CORD - ENHAN...
PVP5502-IDN2-V77DUL	AQUATEC VARIABLE SPEED PUMP - 50PSI - 0.25-4.30GPM - 3 MINUTE TIME OUT - 115 VOLT W/ CORD - ENHA...

NOTE: THESE PUMPS REQUIRE FITTINGS SHOWN ON PAGE #01-60 & 61

VARIABLE SPEED PUMPS - 5800 SERIES (3/8" JG PORTS)

<u>PART NUMBER</u>	<u>ITEM DESCRIPTION</u>
PVP5853-GB12-V81D	AQUATEC VARIABLE SPEED PUMP - 40PSI - 0.0-1.30GPM - 3 MINUTE TIME OUT - 115 VOLT W/ CORD - 3/8"J...
PVP5853-GB12-V88D	AQUATEC VARIABLE SPEED PUMP - 230 VOLT - 40PSI - 0.5-1.40GPM - 3/8JG
PVP5853-GE12-V81D	AQUATEC VARIABLE SPEED PUMP - 60PSI - 0.0-1.36GPM - 3 MINUTE TIME OUT - 115VAC W/ CORD - 3/8"JG ...
PVP5853-GE12-V88D	AQUATEC VARIABLE SPEED PUMP - 230 VOLT - 60PSI - 0.5-1.40GPM - 3/8JG

WATER TREATMENT

Pumps & Accessories - Aquatec & Nuert

Aquatec Pumps - Demand Delivery & Variable Speed Pumps



INSTALLATION PROCEDURE - 5800/550 BOOSTER PUMPS

The basic 5800/550 pump is controlled by a built-in pressure sensing demand switch. When a faucet or valve is opened down stream of the pump, line pressure drops thus starting the pump automatically. Conversely, when the valve shuts, the line pressure increases turning the pump off automatically. The pressure switch actuates in response to the pump outlet pressure at a predetermined and preset pressure. The pump label indicates the predetermined OFF pressures. Typically, the OFF pressure is accurately set at the FACTORY and the ON pressure is within an allowable range below that value. In response to the characteristics of the system in which the pump is installed, such as the flexibility and length of the tubing, and the faucet or valves and the duration that they are open, these pressure settings may vary. Therefore, changes in pressure settings is expected with use over time.

Read the operational and instruction guides carefully before starting to install the pump. Consult the Factory if there is any question.

1. Determine the optimum location for your pump before proceeding.
2. Turn off water.
3. Cut the flexible tubing in sufficient length to avoid any stress on the tubing where it connects to the pump or the fitting on any accessory.
4. Insert tubing into pump ports. Be sure tubing is inserted past the resistance point until it bottoms out against the port stop.
5. The 5800/550 pump is now ready for operation. Open the inlet water valve to allow water to flow to the pump.
6. If the power source is a transformer, plug the appropriate Aquatec supplied or approved transformer into the receptacle and connect the pump to the transformer. If the power source is not a transformer, connect the pump to the appropriate power source. Open the discharge or dispensing valve. Allow water to circulate, purging any entrapped air.
7. The pump will now start building pressure. Operating pressure will vary with membrane flow rate, flow restrictor flow rate, feed-water pressure and line voltage. Check for fitting leaks.
8. **ADJUSTING THE PRESSURE SWITCH.** Should the pressure switch OFF setting vary with use and time to an unsuitable value, it may be adjusted for optimum performance. Turn the set screw clockwise to increase the OFF pressure setting and counter clockwise to decrease. The screw should not be adjusted more than one turn without consulting the Factory. Excessive adjustment of the pressure switch could cause low system pressure, and rapid ON/OFF cycling, reducing pump and motor life. Damage may occur if recommended maximum pressures are exceeded. **the Warranty does not cover improper adjustment of the pressure switch.**
9. Rapid On/Off Cycling must be limited to no more than 6 times per minute, even if the pump is operating in the Continuous Duty zone. Start up current each time the pump is turned on will always exceed the normal running current, and could cause the motor to heat beyond the recommended maximum temperature.

SERVICING:

Every Year: Check system against operating standards.

Every 2-3 Years: Replace diaphragm and check against operating standards.



WATER TREATMENT

Pumps & Accessories - Aquatec & Nuert

Aquatec Pumps - Demand Delivery & Variable Speed Pumps

OPERATION & INSTALLATION - 5800/550 BOOSTER PUMPS

Please read these Operational and Installation Guidelines before installing the 5800/550 Delivery/Demand Pump. If additional help is needed, please consult the Factory.

CAUTIONS:

1. The pump is equipped with a pressure sensing demand switch which controls the maximum safe operating pressure.
2. Never operate the pump in harsh environment or hazardous atmosphere, since motor brush and switch may cause electrical arcing.
3. Pumphead materials are designed for use with water only. Do not use with petroleum products.
4. As long as there is inlet water pressure, the pump will not stop forward flow of water even if the motor is turned off. Be sure the system has positive means of shutting off water supply.
5. Always consider electrical shock hazard when working with and handling electrical equipment. If uncertain, consult an Electrician. Electrical wiring should only be done by a qualified Electrician per local and State Electric Codes.

MOUNTING:

- A. The pump should be mounted in a dry place and away from any source of heat. If an enclosure is used, special provisions for cooling the motor may be necessary. Certain models may be ordered with a thermal protected motor.
- B. Do not subject the Pump to extreme high or low (freezing) temperatures while in operation. (Operating ambient temperatures range is 32°F to 115°F)
- C. The pump may be mounted horizontally with the outlet port on the right when viewed from the pump end or vertically with the pump above the motor.
- D. Do not mount the pump with the head down, as air can become trapped causing the pump to malfunction.

PLUMBING:

- A. We recommend use of flexible tubing with proper pressure rating.
- B. Pump will prime only if all pressure is relieved from the outlet port.
- C. It is recommended that an in-line sediment filter be installed at the inlet side to keep foreign debris out of the system.
- D. Avoid any sharp bends which may crimp tubing and restrict flow. Use 90° elbow fittings if necessary.
- E. The pump should always be mounted prior to the carbon pre-filter to prevent carbon particles from entering the pump chambers and possibly causing clogging.

ELECTRICAL:

- A. The 5800/550 series pumps are designed for intermittent duty, but may run continuously if the motor temperature does not exceed the recommended limit. Please consult the appropriate Data Sheet for continuous running parameters, noting the effect of rapid On/Off Cycling.
- B. If a power supply is used with the system and the supply is not furnished by Aquatec, it will need to be reviewed for correct application and approval by Aquatec.

WATER TREATMENT

Pumps & Accessories - Aquatec & Nuert

Aquatec Pumps - Demand Delivery & Variable Speed Pumps



AQUATEC WARRANTY

Aquatec Water Systems, Inc. ("Aquatec") warrants its products to be free from defects in material and workmanship under the following terms:

All Aquatec products with the exception of series 68XX, ERP 1000 and Aquajet model pumps: The warranty will last for a period of thirteen months from the date of shipping from an Aquatec warehouse. Warranty period for 68XX and ERP 1000 is twenty-five months from the date of shipment from Aquatec. Aquatec warrants its Model Aquajet RV Pumps (Part Numbers 55-AQUAJET-ARV and 55-AQUAJET-AES) for a period of 2 years from the date of shipment from Aquatec. Aquatec's obligation under this warranty shall be limited to replacing or repairing at Aquatec's discretion, any such product or part which must be returned to Aquatec's factory with a Return Material Authorization Number (RMA No.), transportation charges approved by Aquatec or prepaid, and which upon examination, is found to Aquatec's satisfaction to have been defective under the terms of this warranty. No credit will be allowed against future purchases for items returned as defective under the terms of Aquatec's warranty.

This warranty does not extend to any products, which have been altered or modified outside the Aquatec factory, nor does it apply to units that are returned in an unassembled condition. Furthermore, the warranty does not extend to pumps that are identified by a 9XXX model number, indicating non-compliance with Aquatec's Engineering Standards. This includes, but is not limited to, pumps ordered without an integral control mechanism. The warranty guarantees that products will perform to Aquatec's flow and pressure specifications throughout the life of the warranty. The warranty does not cover wear, appearance, misapplication or external water damage. If the returned product is found not to be defective under the conditions of this warranty, a charge will be made for repair or replacement.

Brush wear may be limited to 1000 hours or less.

This is a Limited Warranty. It covers the product only and the extent of the coverage is limited to the cost of the product. As the manufacturer has no control over shipping, handling and installation, the warranty cannot cover water damage, or any other damage, caused by a leak or other malfunction.

This warranty is in lieu of all other warranties, expressed or implied, and no person is authorized to give any other warranty or assume obligation or liability in Aquatec's behalf. Aquatec shall not be liable for any indirect, incidental or consequential damages of any kind incurred by the reason of the use or sale of any defective product and part.

AQUATEC FITTINGS USED WITH 5500, 5501, 5502 & 5503 SERIES PUMPS

Used with any 550 Aquatec pump with a Quick Disconnect (QD) 3/4" port. All fittings are manufactured with a Buna N O-Ring. To specify Viton O-Ring, please add the letter "V" to the end of the part number.

BARB ELBOW CONNECTOR



<u>PART NUMBER</u>	<u>ITEM DESCRIPTION</u>
QBE553	AQUATEC PUMP FITTING - 3/8" BARB ELBOW CONNECTOR USED W/ 550 VARIABLE PUMP
QBE554	AQUATEC PUMP FITTING - 1/2" BARB ELBOW CONNECTOR USED W/ 550 VARIABLE PUMP
QBE555	AQUATEC PUMP FITTING - 5/8" BARB ELBOW CONNECTOR USED W/ 550 VARIABLE PUMP
QBE556	AQUATEC PUMP FITTING - 3/4" BARB ELBOW CONNECTOR USED W/ 550 VARIABLE PUMP

BARB STRAIGHT CONNECTOR



<u>PART NUMBER</u>	<u>ITEM DESCRIPTION</u>
QBS553	AQUATEC PUMP FITTING - 3/8" BARB STRAIGHT CONNECTOR USED W/ 550 VARIABLE PUMP
QBS554	AQUATEC PUMP FITTING - 1/2" BARB STRAIGHT CONNECTOR USED W/ 550 VARIABLE PUMP
QBS555	AQUATEC PUMP FITTING - 5/8" BARB STRAIGHT CONNECTOR USED W/ 550 VARIABLE PUMP
QBS556	AQUATEC PUMP FITTING - 3/4" BARB STRAIGHT CONNECTOR USED W/ 550 VARIABLE PUMP

NOTE: FOR FLOWS LESS THAN 1.5 LPM

JG STRAIGHT CONNECTOR



<u>PART NUMBER</u>	<u>ITEM DESCRIPTION</u>
QJG-058	AQUATEC PUMP FITTING - 3/8" JG STRAIGHT FITTING USED W/ 550 VARIABLE PUMP
QJG-061	AQUATEC PUMP FITTING - 1/2" JG STRAIGHT FITTING USED W/ 550 VARIABLE PUMP

NOTE: FOR FLOWS LESS THAN 1.5 LPM

WATER TREATMENT

Pumps & Accessories - Aquatec & Nuert

Aquatec Pumps - Fittings



AQUATEC FITTINGS USED WITH 5500, 5501, 5502 & 5503 SERIES PUMPS

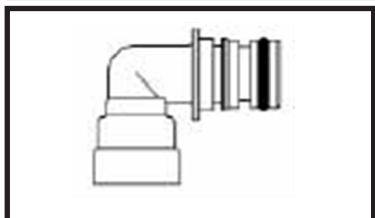
Used with any 550 Aquatec pump with a Quick Disconnect (QD) 3/4" port. All fittings are manufactured with a Buna N O-Ring. To specify Viton O-Ring, please add the letter "V" to the end of the part number.

MALE STRAIGHT CONNECTOR



<u>PART NUMBER</u>	<u>ITEM DESCRIPTION</u>
QTS556	AQUATEC PUMP FITTING - 1/2" MPT STRAIGHT FITTING USED W/ 550 VARIABLE PUMP

JG ELBOW CONNECTOR



<u>PART NUMBER</u>	<u>ITEM DESCRIPTION</u>
QJGE-553	AQUATEC PUMP FITTING - 3/8" JG ELBOW FITTING USED W/ 550 VARIABLE PUMP
QJGE-554	AQUATEC PUMP FITTING - 1/2" JG ELBOW FITTING USED W/ 550 VARIABLE PUMP

NOTE: FOR FLOWS LESS THAN 1.5 LPM

BARB ELBOW CONNECTOR



<u>PART NUMBER</u>	<u>ITEM DESCRIPTION</u>
QBS784*	AQUATEC PUMP FITTING - 1/2" BARB STRAIGHT CONNECTOR USED W/ 7800 VARIABLE PUMP

BARB STRAIGHT CONNECTOR



<u>PART NUMBER</u>	<u>ITEM DESCRIPTION</u>
QBS783	AQUATEC PUMP FITTING - 3/8" BARB STRAIGHT CONNECTOR USED W/ 7800 VARIABLE PUMP (EACH)
QBS783-V*	AQUATEC PUMP FITTING - 3/8" BARB STRAIGHT CONNECTOR W/ VITON ORINGS USED W/ 7800 VARIABLE PUMP
QBS784*	AQUATEC PUMP FITTING - 1/2" BARB STRAIGHT CONNECTOR USED W/ 7800 VARIABLE PUMP



WATER TREATMENT

Pumps & Accessories - Aquatec & Nuert

Pressure Chart

PRESSURE DROP VS. FLOW-RATE FOR PLASTIC TUBING AND HOSE

The following information is the calculated pressure drop for plastic hose and tubing as flow rate increases. This information is based on 60 degree F water. Lower temperatures will increase the pressure drop. In addition, fittings, bends and loops in the hose will further increase the pressure drop.

FLOW-RATE GPM	1/4" I.D.	3/8" I.D.	1/2" I.D.
0.25	<1	<.25	<.2
0.5	<1	<.25	<.2
0.75	<1	<.25	<.2
1.00	3.6	0.6	<.2
1.50	7.7	1.3	<.2
2.00	12.5	2.4	0.46
3.00	24.8 (NR)	4.8	0.99
4.00	NR	7.4	1.71
5.00	NR	11.6	2.6
6.00	NR	16.7 (NR)	3.7

*** PRESSURE DROP - PSI PER 10 FEET *****

- NR - HOSE SIZE GENERALLY NOT RECOMMENDED FOR THIS FLOW-RATE.

This table is designed to serve as a guide in hose selection bases on the length of hose required and the maximum potential flow-rate. Some hose barb type fittings affect the pressure drop as much as 6 feet of additional hose.

WATER TREATMENT

Pumps & Accessories - Aquatec & Nuert
Aquatec - Transformers



AQUATEC TRANSFORMERS

Designed to provide the necessary power to the Aquatec product line, based on your specific application. Nominal primary voltages and frequencies, along with system feed, back pressures, and accessories will influence the transformer selection.

24VAC TRANSFORMERS - .8 AMP



<u>PART NUMBER</u>	<u>ITEM DESCRIPTION</u>
PAT115	AQUATEC .8 AMP TRANSFORMER - 115 VOLT - USED W/ 6800
PAT130	AQUATEC .8 AMP TRANSFORMER - 100 VOLT - 50/60 HZ
PAT140	AQUATEC .8 AMP TRANSFORMER - 230 VOLT - 50/60 HZ

24VAC TRANSFORMERS - 2 AMP



<u>PART NUMBER</u>	<u>ITEM DESCRIPTION</u>
PAT200	AQUATEC 2 AMP TRANSFORMER - 100 VOLT - 24 VAC
PAT215	AQUATEC 2 AMP TRANSFORMER - 115 VOLT - 24 VAC
PAT315	AQUATEC 2 AMP TRANSFORMER - 230 VOLT - 24 VAC



WATER TREATMENT

Pumps & Accessories - Aquatec & Nuert

Aquatec - Tank Switches

AQUATEC TANK PRESSURE SWITCHES

Aquatec's tank pressure switch is available to turn off the booster pump when the tank is full.

It should be mounted in-line, as close to the tank as possible. It is reading tank pressure, not line pressure!

2 PRONG "NORMALLY CLOSED"



<u>PART NUMBER</u>	<u>ITEM DESCRIPTION</u>
PAW220	AQUATEC PRESSURE SWITCH WITH 1/4" JG INSERTS-0/20 SET - USED WITH A NORMALLY CLOSED CIRCUIT
PAW235	AQUATEC PRESSURE SWITCH W/ 1/4"JG INSERTS - 15/35 SET - USED WITH NORMALLY CLOSED CIRCUIT
PAW240	AQUATEC PRESSURE SWITCH W/ 1/4"JG INSERTS - 20/40 SET - USED WITH NORMALLY CLOSED CIRCUIT
PAW260	AQUATEC PRESSURE SWITCH W/ 1/4"JG INSERTS - 40/60 SET - USED WITH NORMALLY CLOSED CIRCUIT
PAW280	AQUATEC PRESSURE SWITCH W/ 1/4"JG INSERTS - 60/80 SET - USED WITH NORMALLY CLOSED CIRCUIT
PAW2100	AQUATEC PRESSURE SWITCH W/ 1/4"JG INSERTS - 80/100 SET - USED WITH NORMALLY CLOSED CIRCUIT
PAW335	AQUATEC PRESSURE SWITCH W/ 3/8" JG INSERTS-15/35 SET - USED WITH A NORMALLY CLOSED CIRCUIT
PAW340	AQUATEC PRESSURE SWITCH W/ 3/8"JG INSERTS – 20/40 SET - USED WITH A NORMALLY CLOSED CIRCUIT
PAW360	AQUATEC PRESSURE SWITCH W/ 3/8"JG INSERTS - 40/60 SET - USED WITH A NORMALLY CLOSED CIRCUIT
PAW380	AQUATEC PRESSURE SWITCH W/ 3/8"JG INSERTS - 60/80 SET - USED WITH A NORMALLY CLOSED CIRCUIT
PAW3100	AQUATEC PRESSURE SWITCH W/ 3/8"JG INSERTS - 80/100 SET - USED WITH A NORMALLY CLOSED CIRCUIT

WATER TREATMENT

Pumps & Accessories - Aquatec & Nuert

Aquatec - Tank Switches



AQUATEC TANK PRESSURE SWITCHES

Aquatec's tank pressure switch is available to turn off the booster pump when the tank is full.

It should be mounted in-line, as close to the tank as possible. It is reading tank pressure, not line pressure!

3 PRONG - "NORMALLY CLOSED / NORMALLY OPEN"



<u>PART NUMBER</u>	<u>ITEM DESCRIPTION</u>
PAW220-HNW	AQUATEC PRESSURE SWITCH WITH 1/4" JG INSERTS - 0/20 SET - 3 PRONG - USED WITH A NORMALLY OPEN CI...
PAW240-HNW	AQUATEC PRESSURE SWITCH W/ 1/4"JG INSERTS - 20/40 SET - 3 PRONG - USED WITH A NORMALLY OPEN CIRCUIT
PAW2100-HNW	AQUATEC PRESSURE SWITCH W/ 1/4"JG INSERTS - 80/100 SET - 3 PRONG - USED WITH A NORMALLY OPEN CIR...
PAW320-HNW	AQUATEC PRESSURE SWITCH W/ 3/8"JG INSERTS — 0/20 SET - 3 PRONG
PAW340-HNW	AQUATEC PRESSURE SWITCH W/ 3/8"JG INSERTS — 20/40 SET - 3 PRONG
PAW360-HNW	AQUATEC PRESSURE SWITCH W/ 3/8"JG INSERTS — 40/60 SET - 3 PRONG
PAW3100-HNW	AQUATEC PRESSURE SWITCH W/ 3/8"JG INSERTS - 80/100 SET - 3 PRONG



PRECISION
INSTALLATION
PRODUCTS



aquatec

WATER TREATMENT

Pumps & Accessories - Aquatec & Nuert

Aquatec - Wiring Harnesses

WIRING HARNESS



<u>PART NUMBER</u>	<u>ITEM DESCRIPTION</u>
21-035-05	AQUATEC 12" EXTENSION HARNESS
21-035-02	AQUATEC 24" SINGLE EXTENSION HARNESS
21-127-1	AQUATEC DOUBLE WIRING HARNESS
21-028-1	AQUATEC DOUBLE WIRING HARNESS - 10" FOR SWITCH/LP PUMP/LPS-340G
21-308-10	AQUATEC DOUBLE WIRING HARNESS - 11" FOR HIGH FLOW SOLENOID VALVE (26-187)
21-161	AQUATEC TRIPLE WIRING HARNESS - 3 FEMALE & 1 MALE CONNECTORS
21-224	AQUATEC 4-WAY JUNCTION HARNESS FOR 1 TRANSFORMER
PAW340	AQUATEC PRESSURE SWITCH W/ 3/8"JG INSERTS – 20/40 SET - USED WITH A NORMALLY CLOSED CIRCUIT
PAW360	AQUATEC PRESSURE SWITCH W/ 3/8"JG INSERTS - 40/60 SET - USED WITH A NORMALLY CLOSED CIRCUIT
PAW380	AQUATEC PRESSURE SWITCH W/ 3/8"JG INSERTS - 60/80 SET - USED WITH A NORMALLY CLOSED CIRCUIT
PAW3100	AQUATEC PRESSURE SWITCH W/ 3/8"JG INSERTS – 80/100 SET - USED WITH A NORMALLY CLOSED CIRCUIT

WATER TREATMENT

Pumps & Accessories - Aquatec & Nuert

Aquatec - Brackets & Heat Shield



BRACKETS



PART NUMBER

25-150

ITEM DESCRIPTION

AQUATEC BLACK STEEL BRACKET: 2.5" X 4.25"



PART NUMBER

25-166

ITEM DESCRIPTION

AQUATEC BLACK CUSTOM STEEL BRACKET: 2.25" X 3.18"



PART NUMBER

25-033

ITEM DESCRIPTION

AQUATEC COMPLETE UNIVERSAL PLASTIC BRACKET W/ (4) FEET, (4) SPACERS & (2) SCREWS



PART NUMBER

51-109

ITEM DESCRIPTION

AQUATEC FLEX BRACKET FOR 6800/8800 PUMPS

HEAT SHIELD



PART NUMBER

50-075

ITEM DESCRIPTION

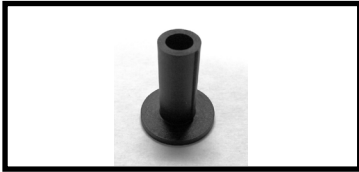
AQUATEC HEAT SINK SHIELD FOR MOTORS. USED IN CONTINUOUS DUTY APPLICATIONS, ALLOWING 15% MORE RUN TIME BEFORE THERMAL OVERLOAD

RUBBER FEET FOR BRACKETS



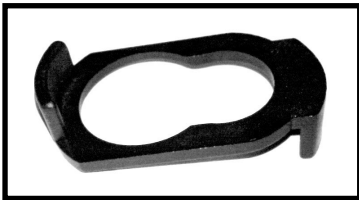
<u>PART NUMBER</u>	<u>ITEM DESCRIPTION</u>
10-024	AQUATEC SMALL BLACK RUBBER FEET FOR STEEL BRACKET
52-016	AQUATEC RUBBER GROMMET/FEET USED W/ UNIVERSAL PLASTIC BRACKET

STEM



<u>PART NUMBER</u>	<u>ITEM DESCRIPTION</u>
51-078	AQUATEC SPACER/STEM USED W/ UNIVERSAL PLASTIC BRACKET

RETAINER CLIP



<u>PART NUMBER</u>	<u>ITEM DESCRIPTION</u>
51-251	AQUATEC RETAINER CLIP FOR 550 QUICK DISCONNECT PUMPS

SCREWS



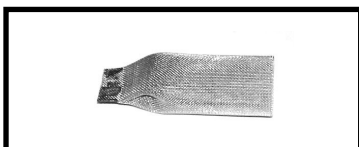
<u>PART NUMBER</u>	<u>ITEM DESCRIPTION</u>
11-123	AQUATEC SCREWS USED W/ UNIVERSAL PLASTIC BRACKET ONLY (PACK OF 2)
PAB-SCREWS	AQUATEC SCREWS FOR BASE PLATE ON CDP6800 PUMP

BOTTLE CAPS



<u>PART NUMBER</u>	<u>ITEM DESCRIPTION</u>
PBC25-154	AQUATEC 5 GALLON BOTTLE WATER CAP

INLET SCREENS



<u>PART NUMBER</u>	<u>ITEM DESCRIPTION</u>
S10-269	AQUATEC 1/2" MESH SCREEN

WATER TREATMENT

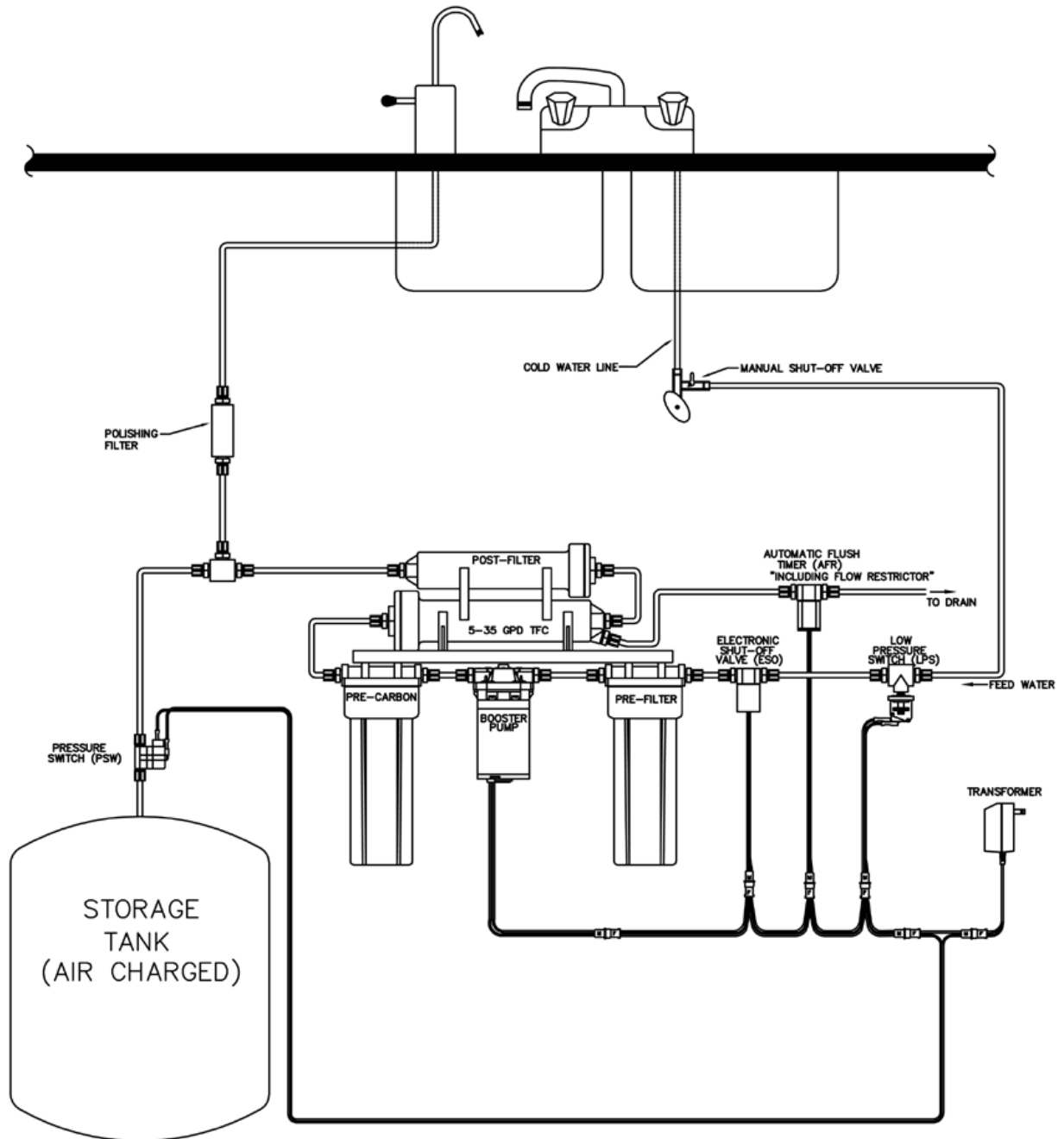
Pumps & Accessories - Aquatec & Nuert

Aquatec - LPS Installation



AQUATEC BOOSTER PUMP SYSTEM

TYPICAL UNDERCOUNTER INSTALLATION PSW, ESO AND LPS SHOWN

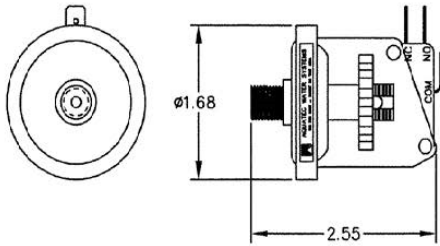


LOW PRESSURE SWITCH



PART NUMBER	ITEM DESCRIPTION
LOW PRESSURE SWITCH	AQUATEC SMALL BLACK RUBBER FEET FOR STEEL BRACKET

The LPS Low Pressure Switch electrically shuts off the booster pump if the feed water is interrupted. The LPS is designed to be mounted on the inlet side of the pump. Although the pump will not be damaged if operated without feed-water, pumping air into the membrane for extended periods can damage the module. We strongly recommend this device for applications where feed-water shut-off or interruption can occur. The LPS includes a wiring harness (21-028-1) that interconnects a pump and transformer.



SPECIFICATIONS:

A. GENERAL:

1. MATERIAL: ALL WETTED PARTS TO BE FDA APPROVED OR NSF LISTED.
2. PRESSURE CONNECTION: 1/8" NPT.

B. ELECTRICAL:

1. SWITCH: CHERRY E34 OR EQUIV., 125 - 250 VAC, 15A MAX. SPDT
2. TERMINALS: 3/16" MALE QUICK CONNECT
3. AGENCY LISTINGS: UL APPROVED
4. SWITCH LIFE: 100,000 CYCLES MINIMUM

C. HYDRAULIC:

1. SUSTAINED OPERATING PRESSURE: 50 PSI MAX.
2. BURST PRESSURE: 200 PSI
3. PRESSURE SETTING RANGE:
 - a.) SWITCH CLOSED 5 PSI OR MORE
 - b.) SWITCH OPEN: 1 PSI TO 5 PSI, FACTORY PRESET AT 2.3±.2 PSI

UNLESS OTHERWISE SPECIFIED DIMENSIONS ARE IN INCHES AT 25°F TOLERANCES ARE: FRACTIONS: DECIMALS: ANGLES: E1/64 .1 .030 ±1/2° 3/64 .05 .05 ±1/2° 3/32 .005		MATERIAL	AQUATEC WATER SYSTEMS INC. 17422 Pullman St., Irvine, Ca. 92614	
FINISH		APPROVALS	DATE	LOW PRESSURE SWITCH
DESIGNED		M.T.	1/7/09	
DRAWN				
CAD# LPS340	PRODUCT CODE	LPP 341-G LPP 341-G		

WATER TREATMENT

Pumps & Accessories - Aquatec & Nuert
Aquatec - Tank Level Controller PLC902

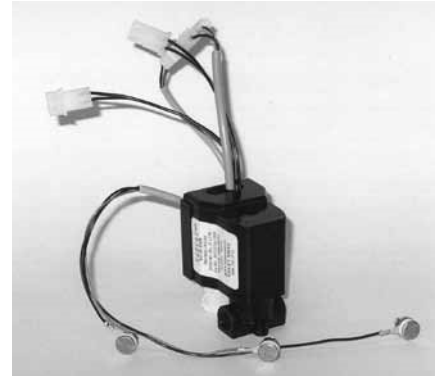


AQUATEC COMPONENT PARTS - TANK LEVEL CONTROLLER

PLC902 TANK LEVEL CONTROL SWITCH VALVE

DISTINGUISHING FEATURES:

- Conserves water
- Separately adjustable on and off levels
- Positive level control and water shut-off
- Conserves energy
- Extends system component life
- Hermetically sealed circuitry for long life



Aquatec's PIC902 Tank Level Control "switch/valve" combination senses the water level through (3) sensors installed through the wall of a non-metallic holding tank. A stainless steel sensor positioned at the pre-determined "fill-level" turns the pump off and closes the integral valve, thereby shutting off the feed-water. As product water is used and falls below the "refill level" the lower sensor automatically restarts the pump and reopens the integral feed-water valve. The valve is powered by Aquatec's exclusive patented energy saving 24 volt coil, strong enough to open against 100 psi. It is intended for high flow applications up to 2500 MI/MIN. The unique circuit allows the 24 volt valve coil to operate without heat build up and AC coil noise. The control circuitry is integrated into the valve and is hermetically sealed for maximum reliability under severe operating conditions.

In a booster pump application, the TLC valve is mounted in-line on the feed water line in front of the inlet to the pump. It's powered by a 24 VAC transformer. The TIC prevents making more water than necessary to fill the unit, thus conserving water and extending the life of the system components.

TECHNICAL SPECIFICATIONS:

WETTED MATERIAL OF CONSTRUCTION: Polypropylene, EPDM, 300 and 400 Series Stainless Steel

POWER REQUIREMENTS: 24 VAC, 50/60 Hz, 130 mA;

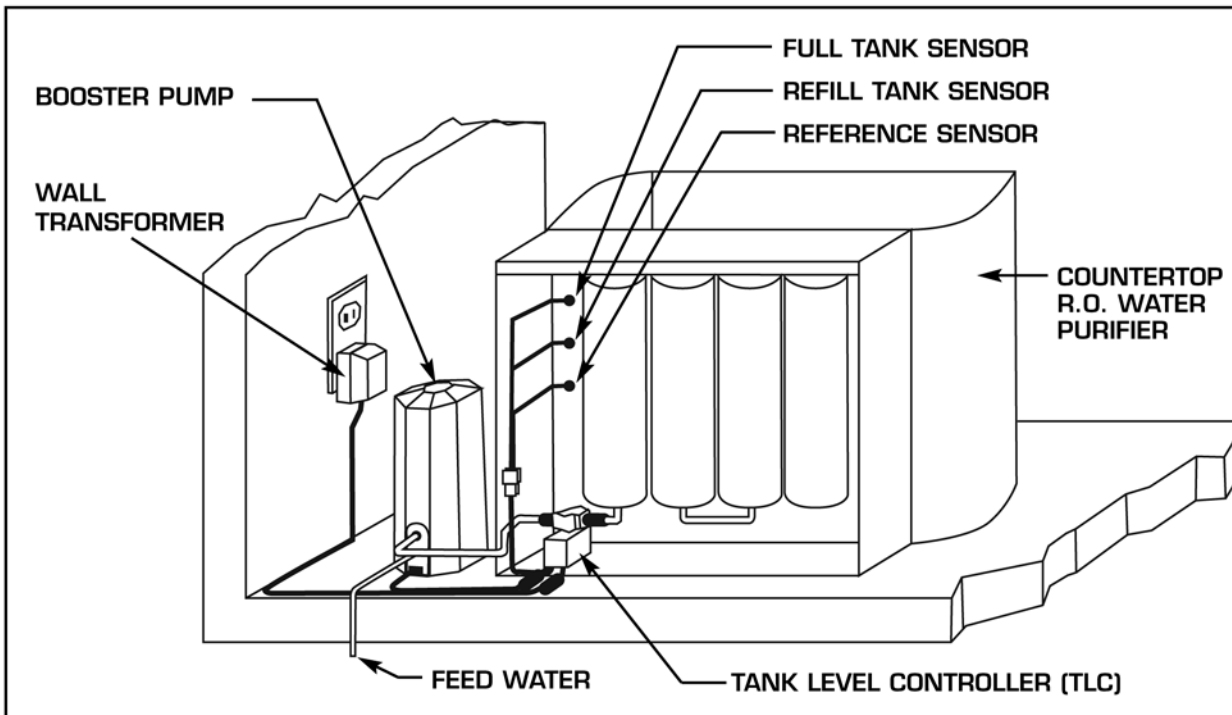
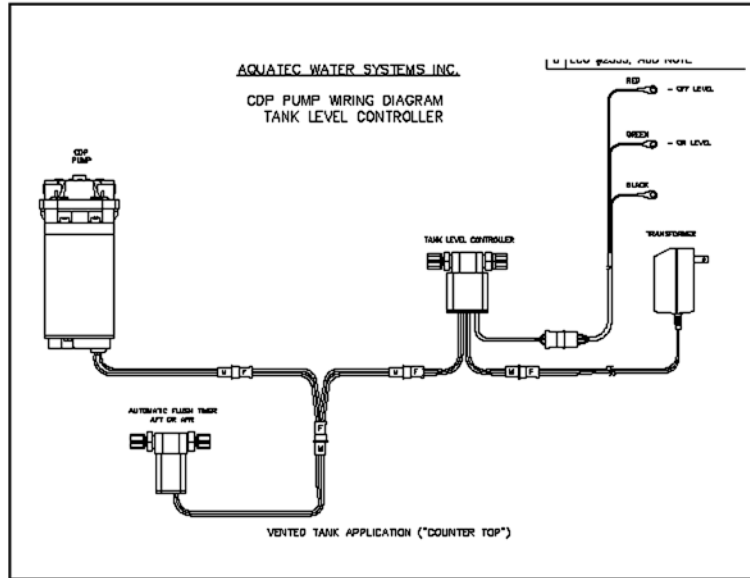
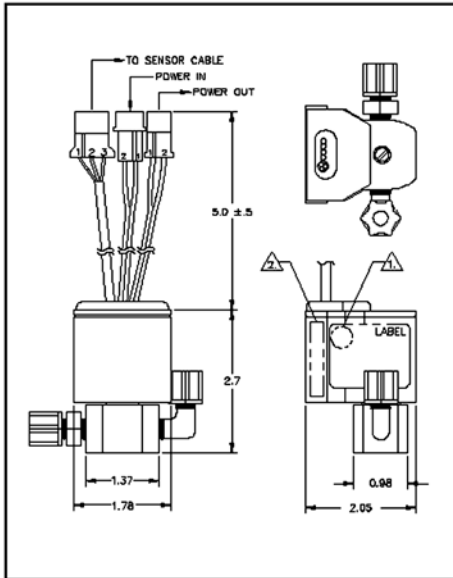
SWITCHED OUTPUT POWER: 24 VAC, 1 amp.

INLET PRESSURE/ORIFICE: 100 psi max./ .093" diameter orifice

FITTINGS: 1/4" Quick Connect push in fittings

SENSORS/SENSITIVITY: Stainless Steel; up to 250 kilo-ohms for water greater than 3 ppm TDS

TANK LEVEL CONTROLLER
PLC902 TANK LEVEL CONTROL SWITCH VALVE



WATER TREATMENT

Pumps & Accessories - Aquatec & Nuert

Aquatec - Leak Detector Sensor Valve PDU900



LEAK DETECTOR VALVE



PART NUMBER

PDU900

ITEM DESCRIPTION

AQUATEC UNIVERSAL LEAK DETECTOR SENSOR VALVE - 1/4" JG - 24VAC
- COMES W/ WIRE HARNESS

DISTINGUISHING FEATURES:

- Protection from leaks
- Integrated sensing circuit
- Hermetically sealed for reliability
- 1 year warranty
- Optional latched or unlatched for output

Aquatec's PDU900 leak Detector/Valve has been engineered to prevent serious water damage. Its detection circuit senses moisture or leaks and instantly closes the integral valve. Several sensor probes can be connected to the same shut-off valve to provide maximum valve shut off speed and a wider protection area. The PDU900 is perfect for any system including Reverse Osmosis systems, water coolers, ice makers, post-mix dispensers, coffee makers, or juice dispensers. This product will act like a automatic shutoff (PSO) - a separate one will not be needed.

TECHNICAL SPECIFICATIONS:

WETTED MATERIAL OF CONSTRUCTION: Polypropylene, EPDM, 300 and 400 Series Stainless Steel

POWER REQUIREMENTS: 24 VAC, 50/60 Hz, 130 mA; Switched Output Power: 24 VAC, 1 amp.; IDS 700: 24 VAC 50/60 Hz, 30 mA

INLET PRESSURE/ORIFICE: IDS 800: 100 psi max./ .093" orifice 1/4"

FITTINGS: John Guest fittings

PROBE SENSITIVITY: 250 kilo-ohm-Stainless Steel Valve Position: Closed Water Temperature: 180° F maximum



PRECISION
INSTALLATION
PRODUCTS



aquatec

WATER TREATMENT

Pumps & Accessories - Aquatec & Nuert

Aquatec - Electronic Shut Off Valve PSO-100DC

ELECTRONIC SHUT OFF VALVE



PART NUMBER

PSO-100DC

ITEM DESCRIPTION

AQUATEC ELECTRONIC AUTOMATIC HIGH PRESSURE SHUT-OFF VALVE - 24 VAC OR VDC - 1/4"JG - COMES W/ WIRE HARNESS

DISTINGUISHING FEATURES:

- Conserves both water and energy
- Provides positive water shut-off
- Low power, cool running
- Hermetically sealed circuitry
- Compact design, plastic valve body

The ESO 460-DC1 utilizes our patented, energy saving 24V coil, which operates without heat buildup or AC coil noise. All integrated control circuitry is hermetically sealed for extended life and maximum reliability under severe operating conditions. The ESO 460-DC1 can be powered by either AC or DC voltage.

TECHNICAL SPECIFICATIONS:

POWER REQUIREMENTS: ESO 460-DC1 24 VAC or VDC, 120 mA

INIET PRESSURE/ORIFICE: ESO DC - Maximum 100 psi, .093" diameter orifice

STANDARD FITTINGS: John Guest 1/4" built-in ports

ELECTRICAL CONNECTION: AMP Mate-N-lok

WATER TREATMENT

Pumps & Accessories - Aquatec & Nuert

Aquatec - High Flow ESO 26-187



HIGH FLOW ELECTRONIC SHUT OFF VALVE



<u>PART NUMBER</u>	<u>ITEM DESCRIPTION</u>
26-187	AQUATEC PSO 600 HI-FLO SOLENOID VALVE - 3/8" MBSP - WIRING HARNESS SOLD SEPARATELY (21-308-10)
21-308-10	AQUATEC DOUBLE WIRING HARNESS - 11" FOR HIGH FLOW SOLENOID VALVE (26-187)

NOTE: THIS PART COMES WITH 3/8" BRITISH STANDARD PORT THREADS. PLEASE ORDER FITTINGS BELOW TO MAKE YOUR CONNECTION.

<u>PART NUMBER</u>	<u>ITEM DESCRIPTION</u>
BWT-FITTING-1/4"	BWT 3/8" EURO THREAD X 1/4" QC FOR HEAD
BWT-FITTING-3/8"	BWT 3/8" EURO THREAD X 3/8" QC FOR HEAD

DISTINGUISHING FEATURES:

- Higher flow capability - up to 3 GPM
- Perfect for larger systems (100-600 GPD)
- Compact size - less than 3"
- Energy efficient
- Normally closed, positive shut-off
- Plastic corrosion resistant valve body
- Works with most Aquatec switches (PFT, PIC, etc.)

The PSO600 is a compact, industrial grade valve designed to handle flows up to 3 GPM (11 lpm). It is intended for flow ranges between .5 - 3 GPM. It is a fast acting, normally closed solenoid valve with a .315" orifice opening that positively shuts off feedwater. It has a 3/8" male NPT port opening, and can be used with any of Aquatec's transformers

TECHNICAL SPECIFICATIONS:

WETTED MATERIAL OF CONSTRUCTION: Polypropylene, EPDM, 300 and 400 Series Stainless Steel

POWER REQUIREMENTS: 24 VAC, 50/60 Hz, 150 mA

INLET PRESSURE/OFFICE: 100 PSI MAX. WITH .025" DIA. ORIFICE

PORT SIZE: 3/8" MAIE BSPT

ELECTRICAL CONNECTION: AMP Mate-N-lok



PRECISION
INSTALLATION
PRODUCTS



aquatec

WATER TREATMENT

Pumps & Accessories - Aquatec & Nuert

Aquatec - Auto Flush Timer Valve 21-127-1

AUTO FLUSH TIMER VALVE



<u>PART NUMBER</u>	<u>ITEM DESCRIPTION</u>
PFR603	AQUATEC 300 ML/MIN FLUSH TIMER WITH FLOW RESTRICTOR - 1/4" JG W/ WIRE HARNESS INCLUDED (21-127-1)
PFR604	AQUATEC 400 ML/MIN FLUSH TIMER WITH FLOW RESTRICTOR - 1/4" JG W/ WIRE HARNESS INCLUDED (21-127-1)
PFR605	AQUATEC 500 ML/MIN FLUSH TIMER WITH FLOW RESTRICTOR - 1/4" JG W/ WIRE HARNESS INCLUDED (21-127-1)
PFT510	AQUATEC 600 ML/MIN FLUSH TIMER W/O FLOW RESTRICTOR - 1/4" JG W/ WIRE HARNESS INCLUDED (21-127-1)
PFR606	AQUATEC 600 ML/MIN FLUSH TIMER WITH FLOW RESTRICTOR - 1/4" JG W/ WIRE HARNESS INCLUDED (21-127-1)
PFR607	AQUATEC 700 ML/MIN FLUSH TIMER WITH FLOW RESTRICTOR - 1/4" JG W/ WIRE HARNESS INCLUDED (21-127-1)
PFR608	AQUATEC 800 ML/MIN FLUSH TIMER WITH FLOW RESTRICTOR - 1/4" JG W/ WIRE HARNESS INCLUDED (21-127-1)

DISTINGUISHING FEATURES:

- Reduces "brine to product" ratio
- Hermetically protected electronics for long life
- Improves system "TDS" rejection rate
- Extended membrane life

An Auto-Flush Timer Valve will assist the RO membrane to perform with maximum efficiency for longer time periods. Most designers recommend that an RO system be flushed on a regular basis. In addition, designers can reduce the "brine to product" ratio, especially in low "TDS" applications, while maintaining or improving system "TDS" rejection rate and extending membrane sediment and carbon filter life.

Upon system start-up and every hour thereafter, the 24VAC normally closed solenoid valve automatically "power-flushes" the membrane at full pump flow, or full line pressure in unboosted systems, for 18 seconds every hour. Turbulent water action scrubs organic and inorganic contaminants from the membrane surface, extending membrane life and efficiency. The "power flush" system only occurs only while the system is in the water making mode. The flush cycle is reset automatically when the RO system repeats the "water making" mode after the "full tank shut-down" mode. Water which has been standing idle in the membrane module for extended period is plurged to the drain. The PFR requires its own transformer or can be powered by the pump transformer.

The valve has a built in, self cleaning, flow restrictor which allows controlled flow to drain when the valve is in the de-activated (closed) state.

TECHNICAL SPECIFICATIONS:

WETTED MATERIAL OF CONSTRUCTION: Polypropylene, EPDM, 300 & 400 Stainless Steel Transformer

POWER REQUIREMENTS: 24 VAC, 50/60 Hz, 220mA during flush, 40 mA during aquiescent (off) period.

OFFICE PRESSURE: .093" diameter/100 PSI max.; 300 to 700 ml/min flow restrictor orifices. 1/4"

FITTINGS: Straight John Guest fittings for inlet and outlet ports.

VALVE MOUNTING: Valve mounting position is after the outlet of the booster pump but in front of the RO membrane.

WATER TREATMENT

Pumps & Accessories - Aquatec & Nuert

Aquatec - Pump Strainers



AQUATEC STRAINERS

DISTINGUISHING FEATURES:

- Grilamid TR55 Nylon clear bowl which is FDA approved (TR55 can handle all grades of water, pesticides, brake fluid, transmission oil, gear oil, power steering fluid, chlorine, petroleum based chemicals and oils and many more.)
- Temperature resistant to 200 degrees F
- Pressure resistant to 200 psi (on the inlet side, pressures rarely reach over 100 psi)
- UV crack resistant and stress crack resistant.

We recommend the use of strainers whenever there is the possibility of introducing debris into our pumps, as they will become clogged and/or will suffer a reduction in performance. The "long bowl" 1/2" port models are rated to 5 GPM and the "short bowl" 3/8" port models are rated to 2 GPM. Our stainless steel screen is 50 mesh, so it will keep out any debris that can get clogged in our pumps.



PART NUMBER

25-181

ITEM DESCRIPTION

AQUATEC STRAINER-40 MESH SS SCREEN-BUNA O-RING-3/4 QD-FOR USE W/ 550 PUMPS



PART NUMBER

25-183

ITEM DESCRIPTION

AQUATEC STRAINER-50 MESH SS SCREEN-SHORT BOWL-VITON GASKET-3/8 FPT-UP TO 2 GPM



PART NUMBER

25-184

ITEM DESCRIPTION

AQUATEC STRAINER-50 MESH SS SCREEN-SHORT BOWL-VITON GASKET-3/8 HOSE BARB-UP TO 2 GPM



PART NUMBER

25-185

ITEM DESCRIPTION

AQUATEC STRAINER-50 MESH SS SCREEN-LONG BOWL-VITON GASKET-1/2 FPT-UP TO 5 GPM



PART NUMBER

25-186

ITEM DESCRIPTION

AQUATEC STRAINER-50 MESH SS SCREEN-LONG BOWL-VITON GASKET-1/2 HOSE BARB- UP TO 5 GPM

NU.ER.T. ROTARY VANE PUMPS

NUERT volumetric rotary vane pumps are self-priming, high-performance (pressure up to 18 bar) and with flow rates up from 50 to 1,080 l/hr at 1450 rpm. All models are available in a lead-free brass or stainless steel body and are classified according to their size and flow rate.

FIELDS OF APPLICATION:

- Car Wash
- Beverage Pumps
- Espresso Coffee Machines
- Reverse Osmosis Systems
- Water Purification & Ultrapurifying Systems
- Water Carbonation
- Chemical Transfer Pump
- Cooling Circuits for Labs
- Steam Cleaning Machines
- Cooling Circuits for Medical Lasers
- Solar Pumps



PRODUCT CODES

A PRM 1 A S X E

A: NSF listed
-: not NSF listed

PRM: vane pump series PRM
PR: vane pump series PR
PRG: vane pump series PRG

Flow rate at 1400 rpm:

05: 50 l/h	35: 350 l/h
08: 80 l/h	4: 400 l/h
1: 100 l/h	5: 500 l/h
15: 150 l/h	6: 600 l/h
2: 200 l/h	7: 700 l/h
21: 210 l/h	8: 800 l/h
27: 270 l/h	9: 900 l/h
3: 300 l/h	10: 1080 l/h

Gaskets:
-: NBR
E: EPDM
V: Viton
FEP: Teflon with Viton core

Body housing:
-: brass
X: stainless steel

By-pass valve configuration:
H: no by-pass valve
S: normal by-pass valve
Z: balanced by-pass valve

Pump configuration:
A: pump without built-in strainer. Connection to the motor through metal clamp
B: pump with built-in strainer. Connection to the motor through metal clamp
C: pump without built-in strainer. Connection to the motor through flange (3 holes)

WATER TREATMENT

Pumps & Accessories - Aquatec & Nuert

Nuert - Rotary Vane Pumps

NU.E.R.T.
rotary vane pumps
Volumetric rotary vane pumps production



MINI PUMPS - PRM SERIES - LEAD FREE BRASS BODY

They are compact pumps, silent and highly reliable. Due to their limited overall dimensions they are perfect to be installed on small size machines. NSF Approved.



PART NUMBER

XAPRM05AZ-LF

ITEM DESCRIPTION

NUERT ROTARY VANE PUMP - LF BRASS BODY - BALANCED BYPASS - CLAMP MOUNTING - 3/8" PORTS - 15GPH @ 1450RPM



PART NUMBER

XAPRM15FZ-LF

ITEM DESCRIPTION

NUERT ROTARY VANE PUMP - LF BRASS BODY - BALANCED BYPASS - FLANGE MOUNTING (2 HOLES, FAEMA STYLE) - 3/8"FPT - 60GPH @ 1450RPM - NSF - USED W/ FAEMA ESPRESSO MACHINES



PRECISION
INSTALLATION
PRODUCTS

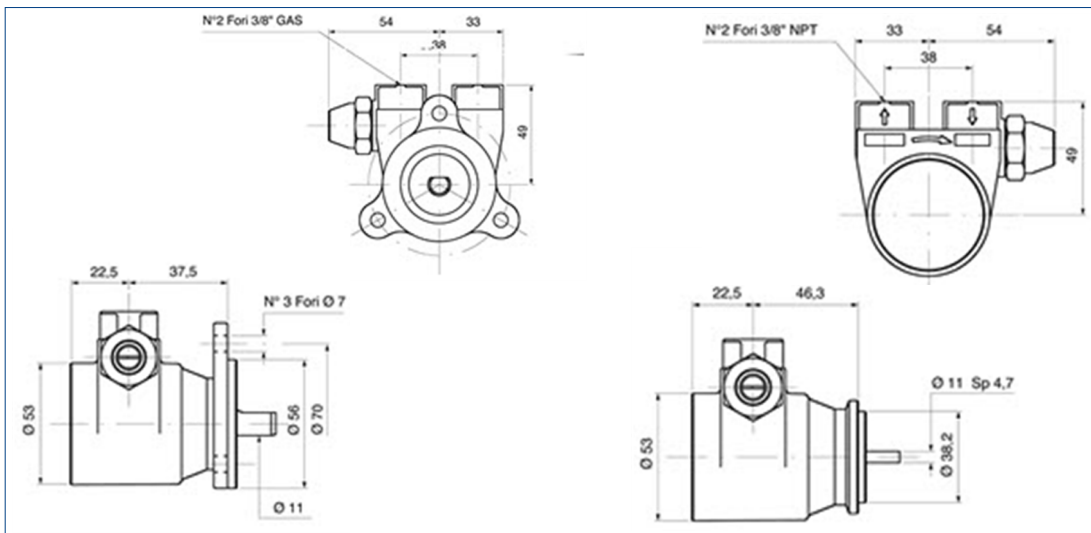
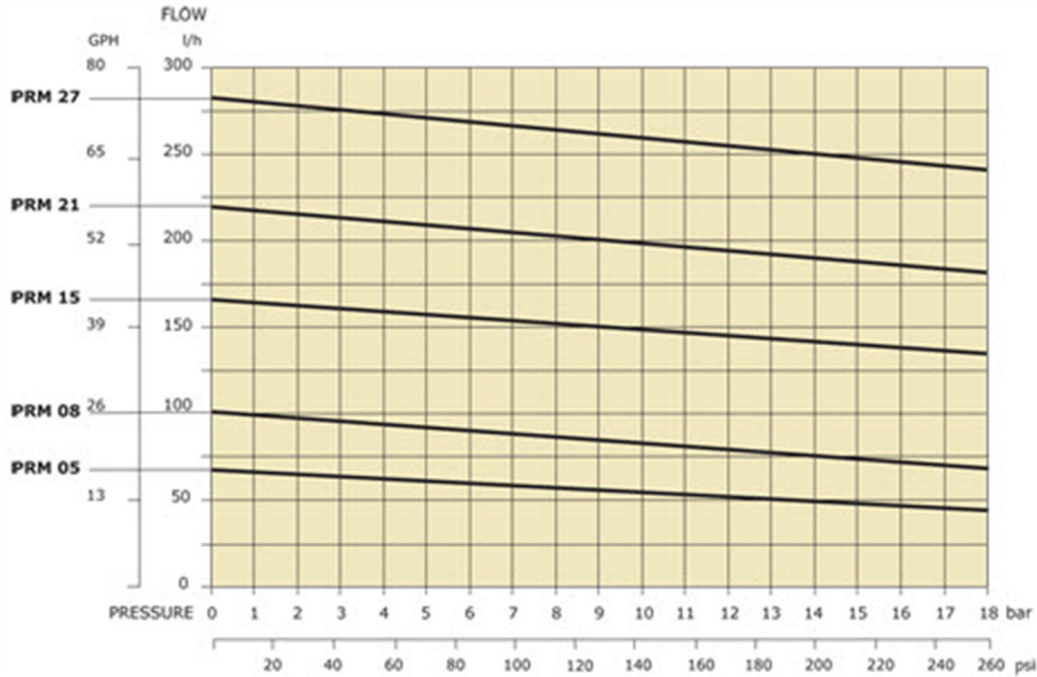
NU.E.R.T.
rotary vane pumps
Volumetric rotary vane pumps production

WATER TREATMENT

Pumps & Accessories - Aquatec & Nuert

Nuert - Rotary Vane Pumps

MINI PUMPS PRM SERIES



PRM series	flow rate (L/h) at 1400 rpm				flow rate (GPH) at 1750 rpm			
	0 bar	5 bar	9 bar	14 bar	0 psi	75 psi	130 psi	200 psi
PRM 05	75	62	56	43	24	20	18	14
PRM 08	105	94	85	75	34	31	28	24
PRM 15	160	150	140	135	52	49	46	44
PRM 21	220	208	195	182	72	68	63	59
PRM 27	280	268	255	245	91	87	83	80

WATER TREATMENT

Pumps & Accessories - Aquatec & Nuert

Nuert - Rotary Vane Pumps

NU.E.R.T.
 rotary vane pumps
 Volumetric rotary vane pumps production



PRECISION
 INSTALLATION
 PRODUCTS

SHORT PUMPS - PRM SERIES - LEAD FREE BRASS BODY

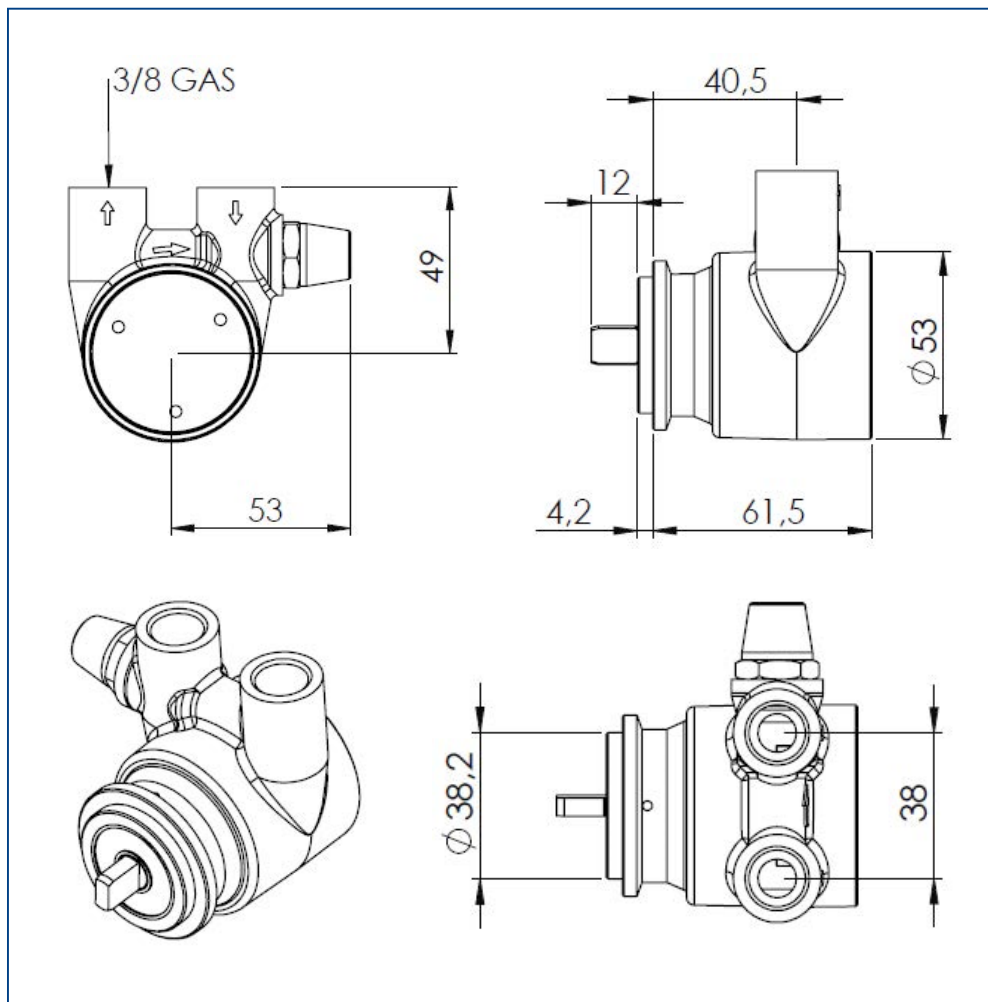


PART NUMBER

XAPRS10AZLF

ITEM DESCRIPTION

NUERT ROTARY VANE PUMP - LF BRASS BODY - BALANCED BYPASS - CLAMP MOUNTING - 3/8" PORTS - 30 GPH @ 1725RPM - NSF





**PRECISION
INSTALLATION
PRODUCTS**

NU.ER.T.
rotary vane pumps
Volumetric rotary vane pumps production

WATER TREATMENT

Pumps & Accessories - Aquatec & Nuert

Nuert - Rotary Vane Pumps

STANDARD PUMPS - PR SERIES

The balance between their high performance and limited size makes them the most widely used model in the market. They are silent and highly reliable pumps appreciated also for the possibility of customization.

NU.ER.T. PR SERIES - LEAD FREE BRASS BODY



<u>PART NUMBER</u>	<u>ITEM DESCRIPTION</u>
XAPR1AS-LF	NORMAL BYPS - CLAMP MOUNT - 3/8"FPT - 35GPH @ 1450RPM
XAPR1BZLF	BAL BYPS - STRAINER - CLAMP MOUNT - 3/8"FPT - 35GPH @ 1450RPM NO BYPS - CLAMP MOUNT - 3/8"FPT - 60GPH @ 1450RPM
XAPR2AH-LF	BAL BYPS - STRAINER - CLAMP MOUNT - 3/8"FPT - 65GPH @ 1450RPM NO BYPS - CLAMP MOUNT - 3/8"FPT - 100GPH @ 1450RPM
XAPR2BZLF	NORMAL BYPS - CLAMP MOUNT - 3/8"FPT - 90GPH @ 1450RPM BAL BYPS - CLAMP MOUNT - 3/8"FPT - 90GPH @ 1450RPM
XAPR3AH-LF	NORMAL BYPS - STRAINER - CLAMP MOUNT - 3/8"FPT - 90GPH @ 1450RPM
XAPR3AS-LF	BAL BYPS - STRAINER - CLAMP MOUNT - 3/8"FPT - 90GPH @ 1450RPM
XAPR3AZLF	NORMAL BYPS - STRAINER - CLAMP MOUNT - 3/8"FPT - 130GPH @ 1725 RPM
XAPR3BS-LF	BAL BYPS - STRAINER - CLAMP MOUNT - 3/8"FPT - 130GPH @ 1450RPM
XAPR3BZLF	NORMAL BYPS - CLAMP MOUNT - 3/8"FPT - 130GPH @ 1450RPM
XAPR4BS-LF	NORMAL BYPS - STRAINER - CLAMP MOUNT - 3/8"FPT - 130GPH @ 1725 RPM
XAPR4BZLF	BAL BYPS - STRAINER - CLAMP MOUNT - 3/8"FPT - 130GPH @ 1450RPM
XAPR4AS-LF	NORMAL BYPS - CLAMP MOUNT - 3/8"FPT - 130GPH @ 1450RPM

NU.ER.T. PR SERIES - STAINLESS STEEL BODY



<u>PART NUMBER</u>	<u>ITEM DESCRIPTION</u>
XAPR1ASX	NORMAL BYPS - CLAMP MOUNT - 3/8"FPT - 35GPH @ 1450RPM
XAPR2AHX	NO BYPS - CLAMP MOUNT - 3/8"FPT - 60GPH @ 1450RPM
XAPR2ASX	NORMAL BYPS - CLAMP MOUNT - 3/8"FPT - 65GPH @ 1450RPM
XAPR3ASX	NORMAL BYPS - CLAMP MOUNT - 3/8"FPT - 90GPH @ 1450RPM
XAPR3AHX	NO BYPS - CLAMP MOUNT - 3/8"FPT - 90GPH @ 1450RPM
XAPR4ASX	NORMAL BYPS - CLAMP MOUNT - 3/8"FPT - 130GPH @ 1450RPM

WATER TREATMENT

Pumps & Accessories - Aquatec & Nuert

Nuert - Rotary Vane Pumps

NU.E.R.T.
rotary vane pumps
Volumetric rotary vane pumps production



**PRECISION
INSTALLATION
PRODUCTS**

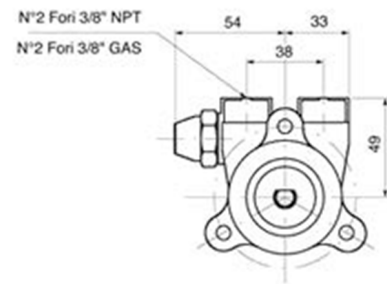
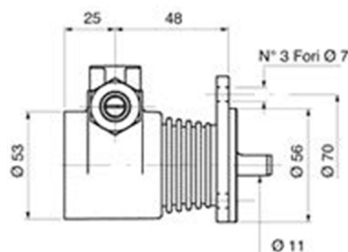
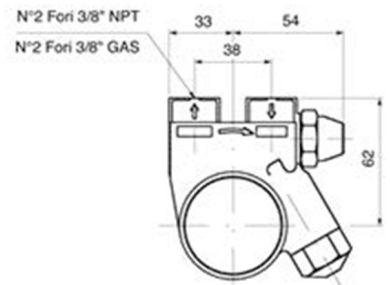
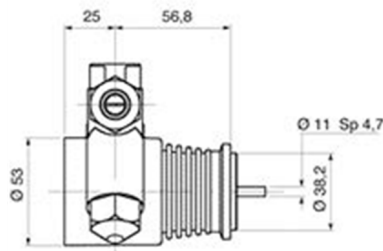
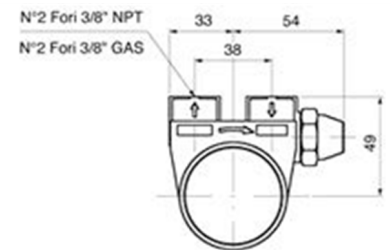
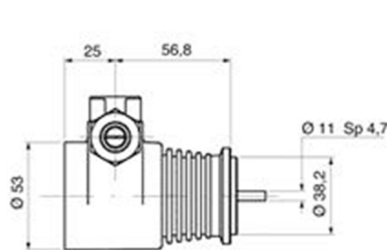
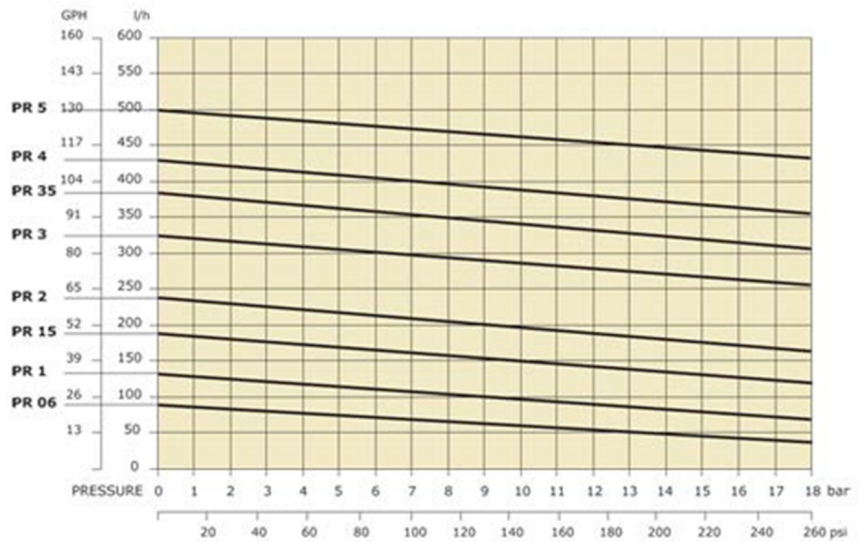
STANDARD PUMPS - PR SERIES

PR Series	FLOW RATE (L/h) a 1400 RPM			
	0 bar	5 bar	9 bar	14 bar
PR 06	90	78	63	55
PR 1	125	115	110	85
PR 15	175	160	150	135
PR 2	230	220	205	185
PR 3	320	310	295	280
PR 35	370	355	340	330
PR 4	420	405	390	380
PR 5	500	490	475	458

Indicative flow rates referred to:
pump without by-pass valve,
speed 1400 rpm, water at 20°C (68°F)

FLOW RATE (GPH) a 1750 rpm				
0 psi	75 psi	130 psi	200 psi	
29	25	21	18	
41	37	36	28	
57	52	49	44	
75	72	67	60	
104	101	96	91	
120	116	111	107	
137	132	127	124	
163	159	155	149	

Indicative flow rates referred to:
pump without by-pass valve,
speed 1750 rpm, water at 20°C (68°F)





**PRECISION
INSTALLATION
PRODUCTS**

NU.ER.T.
rotary vane pumps
Volumetric rotary vane pumps production

WATER TREATMENT

Pumps & Accessories - Aquatec & Nuert

Nuert - Rotary Vane Pumps

MAXI PUMPS - PRG SERIES

Used mainly at industrial level, these pumps boast flow rates and head pressures typical of bigger and more expensive models. The size of inlet and outlet threaded ports is 1/2". NSF Approved.

NU.ER.T. PR SERIES - LEAD FREE BRASS BODY



<u>PART NUMBER</u>	<u>ITEM DESCRIPTION</u>
XAPRG5AH-LF	NO BYPS - CLAMP MOUNT - 1/2"FPT - 140GPH @ 1450RPM
XAPRG5AS-LF	NORMAL BYPS - CLAMP MOUNT - 1/2"FPT - 140GPH @ 1450RPM
XAPRG6AH-LF	NO BYPS - CLAMP MOUNT - 1/2"FPT - 190GPH @ 1450RPM
XAPRG6AS-LF	NORMAL BYPS - CLAMP MOUNT - 1/2"FPT - 190GPH @ 1450RPM
XAPRG7AH-LF	NO BYPS - CLAMP MOUNT - 1/2"FPT - 215GPH @ 1450RPM
XAPRG7AS-LF	NORMAL BYPS - CLAMP MOUNT - 1/2"FPT - 215GPH @ 1450RPM
XAPRG8AH-LF	NO BYPS - CLAMP MOUNT - 1/2"FPT - 240GPH @ 1450RPM
XAPRG8AS-LF	NORMAL BYPS - CLAMP MOUNT - 1/2"FPT - 240GPH @ 1450RPM
XAPRG9AS-LF	NORMAL BYPS - CLAMP MOUNT - 1/2"FPT - 270GPH @ 1450RPM
XAPRG10AH-LF	NO BYPS - CLAMP MOUNT - 1/2"FPT - 330GPH @ 1450RPM
XAPRG10AS-LF	NORMAL BYPS - CLAMP MOUNT - 1/2"FPT - 350GPH @ 1450RPM



NU.ER.T. PR SERIES - STAINLESS STEEL BODY



<u>PART NUMBER</u>	<u>ITEM DESCRIPTION</u>
XAPRG5AHX	NO BYPS - CLAMP MOUNT - 1/2"FPT - 140GPH @ 1450RPM
XAPRG6AHX	NO BYPS - CLAMP MOUNT - 1/2"FPT - 190GPH @ 1450RPM
XAPRG6ASX	NORMAL BYPS - CLAMP MOUNT - 1/2"FPT - 180GPH @ 1450RPM
XAPRG7AHX	NO BYPS - CLAMP MOUNT - 1/2"FPT - 215GPH @ 1450RPM
XAPRG8AHX	NO BYPS - CLAMP MOUNT - 1/2"FPT - 240GPH @ 1450RPM
XAPRG8ASX	NORMAL BYPS - CLAMP MOUNT - 1/2"FPT - 240GPH @ 1450RPM
XAPRG10AHX	NO BYPS - CLAMP MOUNT - 1/2"FPT - 330GPH @ 1450RPM
XAPRG10ASX	NORMAL BYPS - CLAMP MOUNT - 1/2"FPT - 350GPH @ 1450RPM
XAPRG10CHX	NO BYPS - FLANGE MOUNT - 1/2"FPT - 330GPH @ 1450RPM

WATER TREATMENT

Pumps & Accessories - Aquatec & Nuert

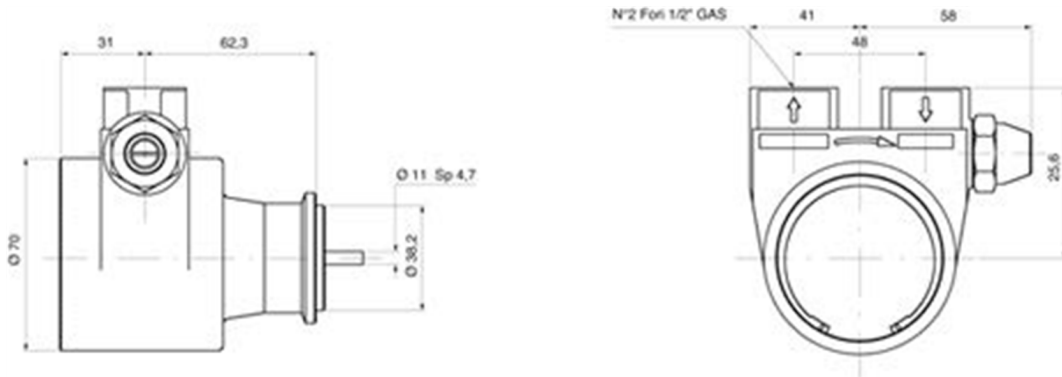
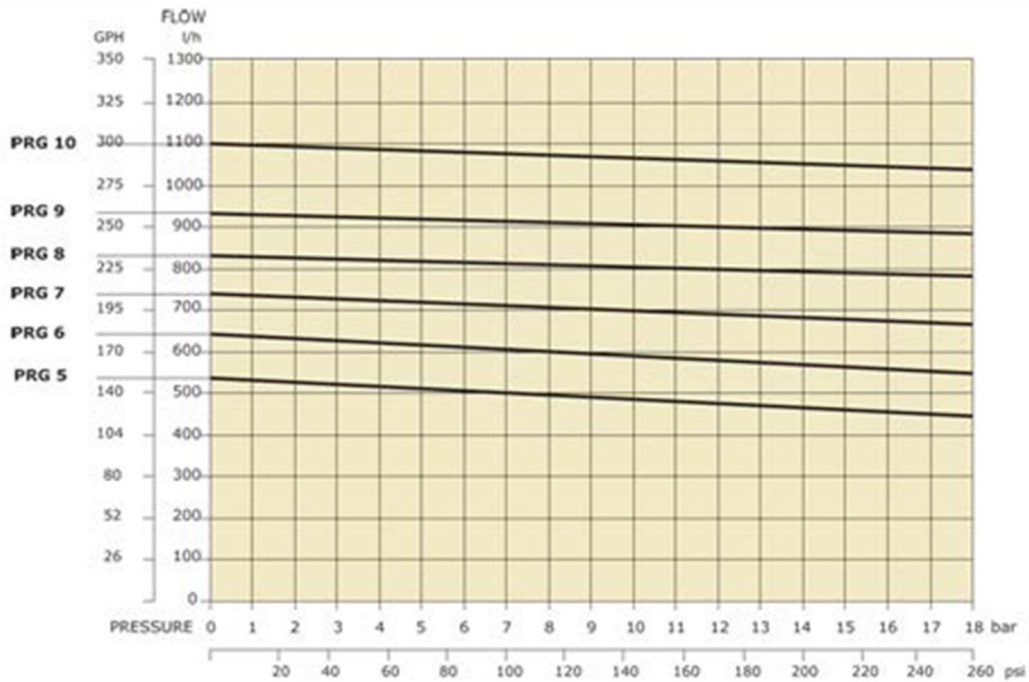
Nuert - Rotary Vane Pumps

NU.E.R.T.
rotary vane pumps
Volumetric rotary vane pumps production



**PRECISION
INSTALLATION
PRODUCTS**

MAXI PUMPS - PRG SERIES



PRG series	FLOW RATE (L/h) at 1400 rpm				FLOW RATE (GPH) at 1750 rpm			
	0 bar	5 bar	9 bar	14 bar	0 psi	75 psi	130 psi	200 psi
PRG 5	535	510	490	475	174	166	159	155
PRG 6	640	620	590	575	208	202	192	187
PRG 7	730	715	690	675	238	233	225	220
PRG 8	830	815	800	780	270	265	260	254
PRG 9	930	920	905	880	303	299	295	286
PRG 10	1100	1080	1070	1030	358	352	348	335

Indicative flow rates referred to:
pump without by-pass valve,
speed 1400 rpm, water at 20°C (68°F)

Indicative flow rates referred to:
pump without by-pass valve,
speed 1750 rpm, water at 20°C (68°F)



PRECISION
INSTALLATION
PRODUCTS

NU.E.R.T.
rotary vane pumps
Volumetric rotary vane pumps production

WATER TREATMENT

Pumps & Accessories - Aquatec & Nuert

Nuert - Rotary Vane Pumps

NU.E.R.T. PUMP ENGINES/MOTORS



NUERT pumps can be easily activated by special 48YZ engines with direct connection especially created for this type of pump or engines with standard IE C B14 flange with dimensions of 56, 63, 71 and 80 through suitable couplings and adaptors.

<u>PART NUMBER</u>	<u>ITEM DESCRIPTION</u>
XM02395	1/4 HP - 180W - 115/230V
XM02396	1/3 HP - 270W - 115/230V

AXEON MARATHON CARBONATOR MOTORS



NUERT pumps can be easily activated by special 48YZ engines with direct connection especially created for this type of pump or engines with standard IE C B14 flange with dimensions of 56, 63, 71 and 80 through suitable couplings and adaptors.

<u>PART NUMBER</u>	<u>ITEM DESCRIPTION</u>
XRVM-1/2HP	1/2 HP - 110/220V - 50/60HZ - PUMPS UP TO 180 GPH
XRVM-3/4HP	3/4 HP - 110/220V - 50/60HZ - PUMPS UP TO 210 GPH

WATER TREATMENT

Pumps & Accessories - Aquatec & Nuert

Nuert - Rotary Vane Pumps

NU.E.R.T.
rotary vane pumps
Volumetric rotary vane pumps production



ROTARY VANE PUMP - ACCESSORIES



PART NUMBER

XAPRG-SSNIPPLE

ITEM DESCRIPTION

NUERT 1/2" NPT SS NIPPLE FOR USE W/ 1/2" PORT SS BODY SERIES PUMPS



PART NUMBER

XAPR2178

ITEM DESCRIPTION

NUERT BLACK PLASTIC NYLON COUPLING - USE ON SHAFT BETWEEN PUMP & MOTOR



PART NUMBER

XAPR2149

ITEM DESCRIPTION

NUERT BRASS COUPLING FOR FEMALE ROTOR - USE ON SHAFT BETWEEN PUMP & MOTOR

GUIDELINES FOR CORRECT USE OF NU.ER.T. PUMPS

1. Do not let the pump run dry.
2. ALWAYS use a filter on the inlet line (100 micron at least).
3. Always use a softener in the inlet line to avoid limestone accumulation inside the pump.
4. During assembly of nipples on the pump, do not allow dope you are using (glue, teflon, or other) to fall into the pump, because it might cause the damaging of carbon components and, as a consequence, pump blocking.
5. Make sure that alignment between pump axis and motor axis is perfect. For this purpose, check that there are no dents or deformations on the contact surface between motor and pump. V-band clamp must be closed moderately, because an excessive closing might cause misalignment between pump and motor.
6. Make sure that liquid used is not a chemical weapon for brass (OT-58 or CZ-129), stainless steel (AISI 303) or NBR gaskets. Verify that liquid does not have debris content. Avoid that liquid temperature exceeds 50°C (for higher temperatures, ask for viton gaskets).
7. If it is a long time that your pump does not work, maybe limestone and other minerals might block it up. Before using it again, we suggest to disassemble it from the motor, fill it up with clean water and vinegar (or other type of anti-limestone not granular) and execute some manual rotations till pump turns without difficulty.
8. Avoid to close the motor and the pump inside machines without appropriate ventilation or air intake. In any case, pump temperature must not exceed 50°C.
9. Owing to materials dimensional shrinkage, due to low temperatures, pump might block. For this reason avoid to make it work at temperatures lower than 8°C. If you place it in cold rooms, before making it work, make sure it turns freely.
10. Before assembly of the pump, avoid categorically that abrasive substances or debris (even if of very small dimensions) go into the pump.
11. In the case of, for assembly reasons, you must block pump using a vice, do it following the scheme:



WATER TREATMENT

Pumps & Accessories - Aquatec & Nuert

Nuert - Rotary Vane Pumps

NU.ER.T.
rotary vane pumps
Volumetric rotary vane pumps production



**PRECISION
INSTALLATION
PRODUCTS**

GUIDELINES FOR CORRECT USE OF NU.ER.T. PUMPS

PUMP DOES NOT REACH NOMINAL FLOW RATE OR AN ADEQUATE PRESSURE

- If equipment is provided with filter at pump inlet, make sure that it is not clogged or inadequate.
- Make sure that pump end plate has not been slack.
- Make sure that bypass valve and its seat are undamaged and clean.
- Check that inlet and outlet nipples are not clogged.
- Make sure that piston of bypass nut is not blocked.
- If, after all these operations, pump does not work yet, get in touch with our company or a service center.

PUMP IS NOISY OR MANOMETER VIBRATES

- Verify that water reaching pump is sufficient. Exclude any throat or obstacle.
- Verify that bypass nut is not slack and that its gasket is not damaged.
- Verify integrity and cleanness of O-RING assembled on bypass piston.
- For models with filter, check that PR 2042 nut is well tight and that its O-RING (PR 2073) is undamaged.
- Make sure that inlet filter is not clogged.
- Check that pump does not suck up air. For this purpose, make sure that inlet pipes and nipples are undamaged and well tight.
- Verify that V-band clamp is not slack or too closed. Line up again pump and block it properly.
- Check coupling between motor and pump. There must be no dents on the contact surface. If there should be, eliminate them.
- Verify concentricity between motor axis and fixing seat of the pump.
- If you made use of potential abrasive liquids or with suspended solids, get in touch with our company or with a service center.
- If you pour off carbonated liquids, this might cause noise.

PUMP IS LEAKING

- If it leaks from peephole, replace pump and get in touch with our company or a service center.
- If it leaks from bypass nut, make sure that it is well tight. If necessary replace gasket (PR 2072).
- If it leaks from pressure adjustment screw, disassemble nut and replace piston O-RING, lubricate it with vaseline oil.
- Pump model with filter: if it leaks from PR 2042 nut, make sure it is well tight and, if necessary, disassemble it and replace its O-RING (PR 2073).

PUMP JAMS OR TURNS IN AN IRREGULAR WAY

- Make sure that motor axis and pump axis are perfectly aligned.
- Suppose there is limestone inside the pump, disassemble pump from the motor and wash it internally using an anti-limestone, then execute some manual rotations till it turns without difficulty, then assemble it again.
- Owing to materials dimensional shrinkage, due to low temperatures, pump might block. For this reason avoid to make it work at temperatures lower than 8°C. If you place it in cold rooms, before making it work, make sure it turns freely.

MOTOR IS STALLING OR WORKS IN AN IRREGULAR WAY

- Verify that the voltage of the motor is correct and that it is not defective.
- If the pump is blocked or it does not turn freely, maybe there is too much limestone or pump and motor are misaligned. In the first case, remove pump from motor and eliminate limestone with an additive. In the second case, replace motor with another one having an axis with a radial run-out and perpendicularity error of 0.1 mm maximum compared to fixing seat of the pump.

WARNING!

Before you try to work on the pump or the systems, turn the motor off and disconnect the power to the motor

A graphic of a blue water splash with bubbles and ripples, centered at the top of the page.

WATER TREATMENT

Pumps & Accessories - Aquatec & Nuert

END OF SECTION

**THIS PAGE IS LEFT
INTENTIONALLY BLANK.**