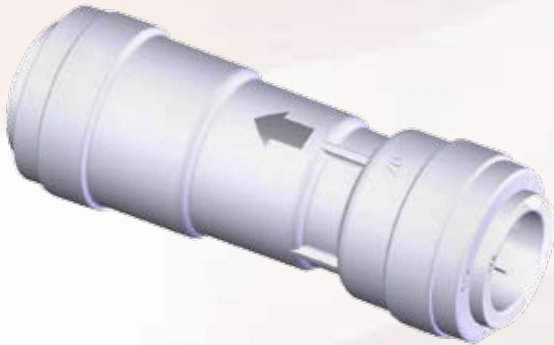


## Mur-lok<sup>®</sup> Check Valves



### Mur-lok<sup>®</sup> Check Valves

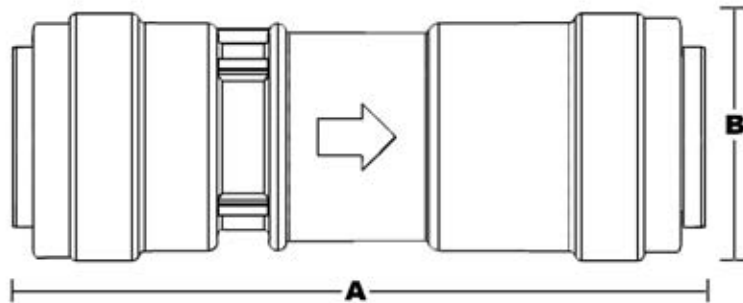
Item #	Description
J0422426	1/4" Check Valve
J0622626	3/8" Check Valve
J0822826	1/2" Check Valve

### Temperatures & Pressures

150 p.s.i @ 33°-70°F	10 Bar @ 1°-20°C
60 p.s.i @ 140°F	4 Bar @ 60°C

### Check Valve Features:

- Chemical Resistant Polypropylene Body & Collets
- Acetal Check Valve Insert
- Leak Resistant Dual-EPDM O-rings
- 301 Stainless Steel Spring
- 0.3 psi Cracking Pressure
- Allows flows in one Direction Only
- Designed for Clear Water Only
- For use with Plastic or Soft Metal Tubing



### Dimensions

Size	Length (A)	Diameter (B)
1/4"	1.82" (46.2 mm)	0.63" (16 mm)
3/8"	2.44" (61.9 mm)	0.80" (20.3 mm)
1/2"	2.62" (66.5 mm)	0.94" (23.8 mm)

G.A. Murdock, Inc.

Phone: 800-568-7565 or 605-256-9632  
 Fax: 800-568-4301 or 605-256-9682  
 Web: [www.gamurdock.com](http://www.gamurdock.com)  
 Email: [sales@gamurdock.com](mailto:sales@gamurdock.com)