

NO-DRIP® DIVISION



tomlinson®



Founded in 1911, Tomlinson® Industries is the world's foremost manufacturer of faucets and fittings for dispensing a wide variety of beverages, including coffee, tea, chocolate, water, wine and beer, as well as condiments and many other liquid products. No-Drip® faucets and fittings are the choice of manufacturers of beverage and liquid containers around the world.



The S Tomlinson is the industry standard beverage-dispensing faucet.

TABLE OF CONTENTS

No-Drip® Faucets

For Institutional Urns, Gravity and Low-Pressure Applications	Pgs. 2-6
For Institutional Urns and Water-Purification Equipment.	Pgs. 7-9
For Hot Water, Hot and Cold Beverages, and Bottled Water Coolers	Pgs. 10-12
Special Applications	Pgs. 12-14
Upper Assemblies and Replacement Parts	Pg. 15
Gauge Shield and Gauge Glass Replacement Parts	Pg. 16

Pro-Flo™

Bubblers, Projector Heads, Cartridges, Cartridge Holders/Regulators, RO Faucets, Point-Of-Use Lead-Free Faucets, Fountain Glass Fillers, Kitchen and Drinking Faucets	Pgs. 17-19
--	------------

Maintenance & Replacement Parts

Coffee and Beverage Equipment Parts and Accessories	Pgs. 20-21
---	------------

Most No-Drip® faucets have been found acceptable by the U.S. Public Health Service for Interstate Carrier use and comply with the applicable sanitation requirements, 1976 Food Service Sanitation manual and the U.S. Food and Drug Administration. Most also comply with the appropriate NSF International, Basic or Special Criteria.

The faucets and fittings shown and listed in this catalog are considered to be the most popular and commonly used No-Drip® items. Contact factory for a complete technical catalog if additional faucets and fittings are required.

NO-DRIP® FAUCETS

S Tomlinson

The S Tomlinson is the industry standard beverage-dispensing faucet. Chromed brass body with 1-1/32"-14 UNS threads and metal-threaded nylon bonnet. Fits 1/2" NPS union nut or wing nut shanks.

	Model #	Description
NSF	1000437	S Tomlinson
PHS/FDA	1000541	SC Tomlinson – Same as S but with chromed brass bonnet.



S Safer Upper Assembly for S Series Faucets

The S Safer upper assembly for S Series faucets prevents accidental dispensing. A three-step action controls dispensing. The S Safer retrofits S Series brass and stainless steel faucets and ESP plastic faucets.

	Model #	Description
NSF	1022168	S Safer Upper Assembly only
	1021675	SC Safer Faucet (as shown in picture)



Crystal Handle

The Crystal Handle instantly adds glamour and elegance to your urn, dispenser or container. Made of durable crystal clear resin, this handle can be used with any S, SP or MS Series faucet.

	Model #	Description
	1923652	Crystal Handle (handle only)



Removable Handle

Removable handle assembly to prevent unintentional or unwanted dispensing.

	Model #	Description
	1023962	S-RHP, 13SLBE
	1023981	SC-RHP – same as above but with chrome bonnet



NO-DRIP® FAUCETS



ES Tomlinson

Economy version of our S faucet. Chromed brass body with 1-1/32"-14 UNS threads and black nylon bonnet. Fits 1/2" NPS union nut or wing nut shanks.



Model #	Description
1000484	ES Tomlinson
1000500	ESC Tomlinson – Same as ES but with chromed brass bonnet
1008225	ESP – Same as ES but with black Ultem high-temperature body



SM Tomlinson

Chromed brass body with black nylon metal-threaded bonnet, integral chromed brass shank with nylon metal-threaded 7/8"-14 NF wing nut and gasket. Fits liquid carriers with 7/8"-14 external threaded bushing.



PHS/FDA

Model #	Description
1000615	SM Tomlinson
1000600	SCM – Same as SM but with chromed brass bonnet
1000690	SPBM – Same as SM but with black polypropylene body, black nylon bonnet and black nylon metal-threaded wing nut
1000666	SPBCM – Same as SPBM but with chromed brass bonnet



600T3

Pinch Tube Faucet

The Pinch Tube Faucet is used with a super-sanitary disposable bag and tube. The tube is inserted through the faucet; product does not come in contact with the faucet. The pinch tube requires no cleaning. Matching shank assembly available.



600T3P

600T3S

600T4P

600T2

Model #	Description
1018014	600T3 Pinch Tube Faucet – (metal bonnet)
1019533	600T3P – Same as 600T3 Pinch Tube Faucet but with polypropylene bonnet
1022826	600T3S – Same as 600T3 but with shorter spout
1019576	600T4P – Male threaded faucet
1024497	600T2 – Curved spout
1025215	600T3G – Vertical spout (not shown)



SPB Tomlinson

Same as Model S, but with black polypropylene body with 1-1/32"-14 UNS threads, black nylon bonnet and stem. Use with 16CNY or 16TNY Series shanks.



PHS/FDA

Model #	Description
1018305	SPB Tomlinson
1000662	SPBC Tomlinson – Same as SPB but with chromed brass bonnet
1000732	TTSPB – Same as SPB but with optional Cup Trip handle. Cup Trip may be ordered with any SP Series faucet

SPBH Tomlinson

Black polypropylene body with 3/8"-18 NPSM threads and "Nudger" handle. Complete with two washers and aluminum jam nut.



PHS/FDA

Model #	Description
1000669	SPBH Tomlinson
1000700	SPBT – Same as SPBH but with 1-11/32" NPS long threads
1019433	SPBJ – Same as SPBH but complete with washer and jam nut and 7/8"-14 UNF-2A threads



SPBH

SPBT

SPBJU Juice Faucet

Easily dispenses thick, pulpy juices and beverages. Unique seal/seat design helps shear pulp at shutoff for leak-free operation. No after drip. Fast flow rate of 1.43 gal/sec. Faucet can be used with Crystal Handle, Cup Trip Handle and Nudger Handle.



Model #	Description
1023457	SPBJU



ESP High-Temperature Plastic Faucet

High-temperature plastic faucet with temperature rating up to 194°F/90°C. 1-1/32"-14 UNS threads.



Model #	Description
1010464	ESP Tomlinson



A16CU High-Temperature Plastic Shank Assembly

High-temperature plastic shank with temperature rating up to 194°F/90°C.



Model #	Description
1024429	A16CU
1024541	A16CU, 20A1NYB – Same as above but with black nylon flange nut
1024721	A16CW1U – Same as A16CU but with shorter shank
1024542	A16CW1U – Same as A16CW1U but with black nylon flange nut





A16CUGA/8" High-Temperature Plastic Shield Assembly

High-temperature plastic shield assembly with temperature rating up to 194°F/90°C.

	Model #	Description
NSF	1024462	A16CUGA/8" Shield Assembly
	1025050	A16CUGA/10" Shield Assembly
	1024463	A16CUGA/12" Shield Assembly
	1024428	A16CUGA – Shank only

A16C

Chromed brass 1/2" NPS union nut hex shank with 1/2"-14 NPSM threads. Standard on most institutional coffee urns.



	Model #	Description
NSF	1000752	A16C
	1000754	A16C-1/8" – Same as A16C but drilled and tapped 1/8" NPT for gauge shield assemblies or shut-offs

A16CEC

Chromed brass 1/2" NPS union nut hex shank 2-7/8" long with 1/2"-14 NPSM threads.



	Model #	Description
NSF	1000760	A16CEC
	1000762	A16CEC-1/8" – Same as A16CEC but drilled and tapped 1/8" NPT for gauge shield assemblies or shut-offs

A78-8"

3/4" Anodized Aluminum Gauge Shield Assembly. Fits A16C and A16CEC shanks. Standard lengths from 4" to 20". See page 12 for common lengths and options.



	Model #	Description
	1000854	A78-8" Assembly

A16CW

Chromed brass 1/2" NPS round shank with broached flats for a wrench and 1/2"-14 NPSM threads.



Model #	Description
1000774	A16CW

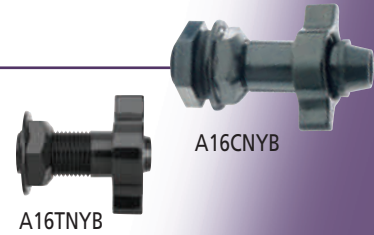


A16CNYB

Black nylon 1/2" NPS round shank with 1/2"-14 NPSM threads, nylon wing nut and adjustable flange nut. Complete with two washers and nylon jam nut. Fits SP Series faucets.



Model #	Description
1000771	A16CNYB
1000790	A16TNYB – Same as A16CNYB but with a shorter shank



MSP/M Series

Black polypropylene body with integral shank and 3/8"-18 NPSM threads and 5/8" O.D. buffed aluminum gauge shield. Standard gauge lengths listed and custom lengths available.



Model #	Description
1000287	MSP/M 4" (with 4" gauge shield)
1022601	MSP/M 7-1/2" (with 7-1/2" gauge shield)
1022747	MSP/M 10" (with 10" gauge shield)



WBO Faucet with Gauge Shield

Black polypropylene body with integral shank and 8" or 10" gauge shields. Primarily used on retail percolators. Inlet thread is 3/8"-18 NPSM aluminum thread.



Model #	Description
1014083	WG211 (with 8" gauge shield)
1014084	WG211 (with 10" gauge shield)



NO-DRIP® FAUCETS



MSB

Black polypropylene body with 1-1/32"-14 UNS threads and self-closing, lock-open vertical handle. Fits 1/2" NPS union or wing nut shanks. Handle may be imprinted at additional cost. Can be used with 16CNY or 16TNY Series shanks.

Model #	Description
---------	-------------

1000274	MSB
---------	-----



PHS/FDA



MSBH

Black polypropylene body with integral shank and 3/8"-18 NPSM threads. Complete with two washers and aluminum jam nut.

Model #	Description
---------	-------------

1000278	MSBH
---------	------

1000279	MSBH – Same as above but with 2 washers and plastic jam nut
---------	---



PHS/FDA



MSBRH 3/8"-18

Chromed brass body with 3/8"-18 NPS threads, black nylon bonnet and a diagonal self-closing, lock-open handle. Flat on shank to accommodate a shield assembly.

Model #	Description
---------	-------------

1000319	MSBRH 3/8"-18
---------	---------------



MSBRH, G-1/2"

Chromed brass body, black nylon bonnet with a diagonal self-closing, lock-open handle. 0.5" (13 mm) inlet I.D. has G-1/2" threads.

Model #	Description
---------	-------------

1015658	MSBRH, G-1/2"
---------	---------------



PHS/FDA

PSC-BR-8

Chromed brass body and shank with 1/2"-20 UNF threads, nickel-plated brass stem, pinned nylon handle, chromed bonnet. Complete with two washers and nickel-plated brass jam nut. May be drilled and tapped for gauge.



Model #	Description
1000392	PSC-BR-8



Touch Guard® Upper Assembly for PS/HPS Series Faucets

Touch Guard® faucets are resistant to child access for children 3-1/2 years old and younger. Touch Guard upper assembly prevents accidental dispensing. Available separately, or can be assembled to any PS/HPS and HFS® Series faucet at factory.



Model #	Description
1022071	Red upper assembly with chrome bonnet



PS-PEM8 High-Temperature Plastic Faucet

High-temperature plastic faucet with temperature rating up to 194°F/90°C and 5/8"-18 UNF-2A threads.



Model #	Description
1019393	PS-PEM8
1024787	PS-PEM – Same as above but with Touch Guard® Handle



PSC High-Temperature Plastic Faucet

High-temperature plastic faucet with temperature rating up to 194°F/90°C and 1/2"-20 UNS threads.



Model #	Description
1023602	PSC-U7CB8
1024785	PSC-U7CT8 – Same as above but with red Touch Guard® Handle
1024786	PSC-U7CB8 – Same as above but with blue Touch Guard® Handle



NO-DRIP® FAUCETS



HPSC-BR

Chromed brass body, shank and bonnet, nylon handle and stem, two washers and nickel-plated brass jam nut. Faucet has 1/2"-20 UNF threads. May be drilled and tapped for gauge.

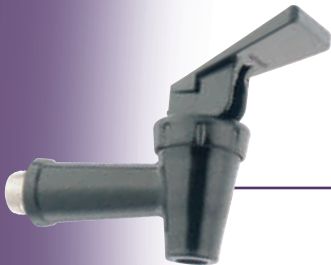
	Model #	Description
NSF	1000387	HPSC-BR
	1000384	HPS-BR – Same as HPSC-BR but with black polypropylene bonnet



HPSBCI

Black polypropylene body with 1/2"-20 UNF aluminum insert threads, chromed brass bonnet, two washers and aluminum jam nut.

	Model #	Description
NSF	1000365	HPSBCI
	1000368	HPSBCI-BR – Same as HPSBCI but with brass threaded insert



HPSBI

Black polypropylene body with 1/2"-20 UNF aluminum insert threads and black polypropylene bonnet, two washers and jam nut.

	Model #	Description
NSF	1000382	HPSBI
	1000247	HPSBI-BR – Same as HPSBI but with brass threaded insert



HPSBC

Black polypropylene body with 1/2"-20 UNF threads, chromed brass bonnet, two washers and aluminum jam nut.

	Model #	Description
NSF	1000352	HPSBC
	1000350	HPSB – Same as HPSBC but with black polypropylene bonnet



HPSBCH

Black polypropylene body with 5/8"-18 UNF threads, chromed brass bonnet, two washers and aluminum jam nut.

	Model #	Description
NSF	1000361	HPSBCH
	1000376	HPSBH – Same as HPSBCH but with black polypropylene bonnet

HPSJW

Small self-closing faucet. Bagged white polypropylene body, threads and bonnet. White nylon handle. 5/8"-18 male threads.

Model #	Description
1000254	HPSJW



HFSA

Industry standard for bottled water coolers. Black polypropylene body with 3/4"-16 UNF threads. Complete with two washers and plastic jam nut.

Model #	Description
1000019	HFSA



PHS/FDA



HFSH

Black polypropylene body with 3/8"-18 NPS threads and hose barb for 1/2" I.D. tubing.

Model #	Description
1000191	HFSH
1000190	HFSH-1 – Same as HFSH but without hose barb



PHS/FDA



HFS-3F

White polypropylene body with internal 3/8"-18 NPS threads and .05" (1 mm) recess for washer in the back of the flange.

Model #	Description
1008779	HFS-3F
1000113	HFSF – Same as HFS-3F but with straight spout configuration



PHS/FDA



Antimicrobial SteriTouch® Technology

Now available for HFSF and HFSL faucets, antimicrobial SteriTouch® Technology can be built in to last the life of the faucet. SteriTouch technology inhibits bacterial growth on the faucet by attacking the microbes and reducing growth on the surface. Ask us today about SteriTouch Technology for your HFSF or HFSL faucet.



HFSF with SteriTouch®



HFSL with SteriTouch®

NO-DRIP® FAUCETS

HFSL



Polypropylene body with 3/4"-16 UNF threads. This faucet is used on ceramic water dispensers and is shipped in an individual bag complete with two washers and one jam nut. Color options include white, blue, black and beige.

	Model #	Description
NSF	1018854	HFSL - White
	1018851	HFSL - Blue
	1018855	HFSL - Black
	1018852	HFSL - Beige

Touch Guard®

Touch Guard® faucets are resistant to child access for children 3-1/2 years and younger. Touch Guard upper assembly prevents accidental dispensing. Available separately, or can be assembled to any HFS® Series faucet at factory.



	Model #	Description
NSF	1009313	Red upper assembly
	1009312	Blue upper assembly
	1009314	White upper assembly

HFS® Cup Trip Handle

Cup Trip handle permits one-hand dispensing. Available separately, or can be assembled to any HFS® Series faucet at factory.



	Model #	Description
	1913427	Red handle
	1913429	Blue handle
	1913428	White handle
	1912263	Black handle

Water Cup Dispenser

The WCP— a perfect fit for standard pleated, flat bottom or cone-style paper water cups with a 2-3/8"-3" (60-76 mm) lip diameter. Tube material is semi-transparent plastic. Overall height is 17-1/8" (435 mm). Easy to mount; hardware included. Shipped 24 per case.



	Model #	Description
NSF	1011720	White dispensing head
	1011721	Almond dispensing head
	1011905	Black dispensing head
	Stainless Steel Water Cup Dispenser	
	1003692	1010 Stainless steel dispenser
	1003696	1015 Stainless steel dispenser

HFSG-1

Bagged white polypropylene body, threads and bonnet. White nylon handle. 3/4"-16 male threads.



Model #	Description
1014666	HFSG-1



800

White polypropylene body with 3/4"-12 UN threads. Fits 3/4" I.D. (19 mm) mounting hole. Flow rate is .46 gal/min. Ideal for small beverage dispensers.

Model #	Description
1000944	800
1015246	800 – Same as 800 but bagged with washer and nut



813A

White polypropylene body with 3/4"-12 UN threads. Fits 3/4" I.D. (19 mm) mounting hole. Fast flow rate of 1.13 gal/min. Ideal for small beverage dispensers.

Model #	Description
1007843	813A
1016484	813A – Same as 813A but bagged with washer and nut



812C

White polypropylene body. Fits all 38 mm thread spouts with 1.2" I.D. (30 mm). Complete with washer and nut. Applications include blow-molded bottles for beverage and water dispensing and liquid detergent dispensing.

Model #	Description
1015298	812C



NO-DRIP® FAUCETS



850

Brown polypropylene body. Fits all 38 mm thread spouts with 1.2" I.D. (30 mm). Applications include containers for ketchup, mustard, syrups, applesauce and concentrates. Also available in red, silver and black.



Model #	Description
1000947	850

920A Bag-In-Box Cap Remover Tool

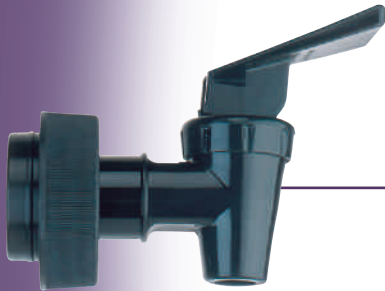
The heavy-duty bag-in-box cap remover tool is made of reinforced plastic, eases removal of caps and reduces the chance of injury and product waste. Standard color is red. Optional colors and custom imprinting are available.



Model #	Description
1913305	920A Cap Remover Tool

HFSS

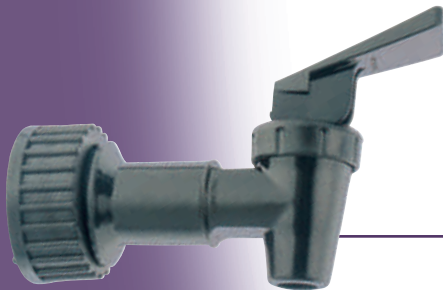
Black polypropylene body. Fits all 38 mm thread spouts with 1.2" I.D. (30 mm). Applications include containers for wines, juices, syrups, water and cleaning solvents.



Model #	Description
1000231	HFSS

HFSP

Black polypropylene body. Fits Scholle® diaphragm spouts. Applications include containers for wine, juices, syrups, water and cleaning solvents.



Model #	Description
1000202	HFSP
1000228	HFSR to be used with QCD bag fitment

HFSR

Black polypropylene body. Fits Liqui-Box QC/D® spouts. Applications include bag-in-box packaging for wines, juices and syrups.



Model #	Description
1000228	HFSR

CBT

Black polypropylene pressure faucet for dispensing beer up to 30 PSI. Has hose barb for 3/16" (4.76 mm) I.D. tubing. Specially contoured for ease of use.



Model #	Description
1000004	CBT



350

White acetal body with black bakelite handle. Precision machined acetal plug with O-ring seal. 0.675" inlet I.D. (17 mm) has 3/4" NPS threads 13/16" long. Used for dispensing soft-serve ice cream.



PHS/FDA

Model #	Description
1000816	350
1000817	350 NPT – Same as 350 but with 3/4" NPT thread



850W Faucet

Dispense viscous liquids at gravity pressure with a flow rate of 3 gpm or 11.36 lpm. Black polypropylene body with 1"-14 UNS threads. Optional washer and locking nut available.

Model #	Description
1024620	850W



PPSHP-8 1/4" Flare

High-pressure faucet for dispensing water up to 120 PSI and 212°F. Chrome-plated brass body with flare end for 1/4" tubing. Complete with safety handle, aerator and bonnet safety clip.

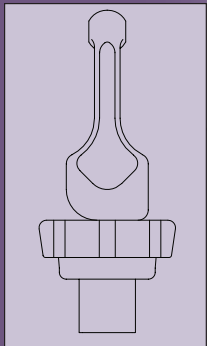


Model #	Description
1017710	PPSHP-8 1/4" Flare
1007566	PPSHP-8 7/16"-20 – Similar to PPSHP-8 1/4" Flare but with 7/16"-20 threads
1010456	PPSHP-8 1/2"-20 – Similar to PPSHP-8 1/4" Flare but without flare end



NO-DRIP® FAUCETS

Upper Assemblies & Replacement Parts



S Series

Upper Assemblies



Model #	Description
1001013	Black plastic upper assembly for S Series faucets
1001026	Same as above but in orange for decaf faucets
1001028	Same as above but in red for hot water faucets

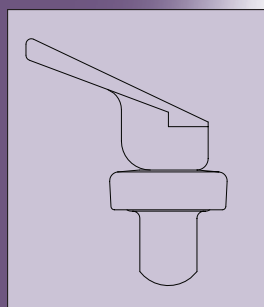
Standard Replacement Parts

Model #	Description
1000949	Stem and Pin Set
1015877	3S10 Seat Cup, 25 per bag
1015878	3S10 Seat Cup, 50 per bag

SP Series

Upper Assemblies

Model #	Description
1001031	Black plastic upper assembly for SP Series faucets



HPS Series

Upper Assembly

Model #	Description
1401140	A2-5PSC/173H-1 Chromed brass bonnet with lock-open handle

Standard Replacement Parts

Model #	Description
1913381	3PS14S/4H-1 Stem/Seat Cup Set

HFS® Series

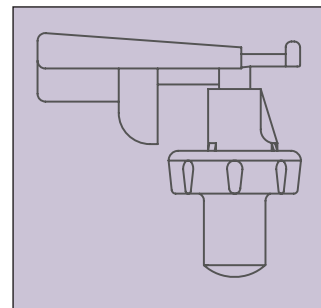
Upper Assemblies

The standard upper assembly is interchangeable with any HFS Faucet and consists of the handle, bonnet, stem, spring and seat cup. Many color options are available. Blue and white are standard.

Model #	Description
1008849	A2H1W/173HS1W – White upper assembly
1415822	A2H1BB/173HS1BB – Blue upper assembly

Standard Replacement Parts

Model #	Description
1913381	3PS14S/4H – 1 Stem/Seat Cup Set

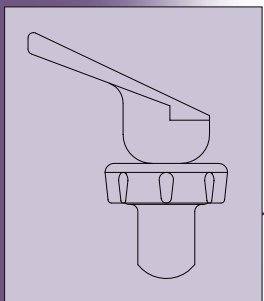


Touch Guard®

Upper Assemblies



Model #	Description
1009313	A2H1-L/R/173STPR – Red upper assembly
1009312	A2H1-L/BB/173STPB – Blue upper assembly
1009314	A2H1-L/W/173STPW – White upper assembly
1022071	A2-5PSCS, 2H1-L1A/R 173STPT/R – Red upper assembly, chrome bonnet



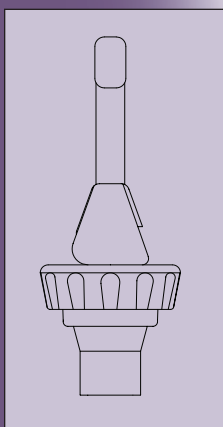
MS Series

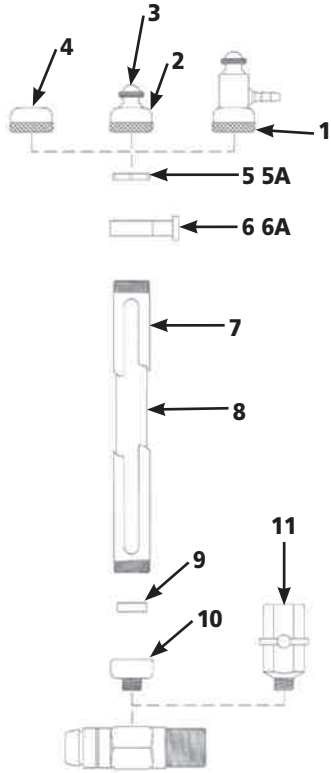
Upper Assemblies

Model #	Description
1000989	A2-5M/13M3 with horizontal handle
1000992	A2-5M/13M5 with vertical handle
1013904	A2-5M1/13M6 with vertical handle

Standard Replacement Parts

Model #	Description
1901959	3MS Seat Cup, silicone
1901960	3MSE Seat Cup, rubber (EPDM)





S Series

Gauge Shield & Gauge Glass Replacement Parts

Replacement Parts			
1	A77-7 Agitation Assembly	1000803	x
2	77-3 Shield Cap	1902578	x
3	44 Vented Plug	1902477	x
4	77-4 Shield Cap	1902582	
5	80LH Washer Cap	1902756	
5A	80XLH Washer Cap (thin)	1902758	x
6	4AL Shield Brace (Alum)	1901986	x
6A	4NYB Shield Brace (Nylon)	1902002	x
7	78- length Gauge Shield	See right	
8	81-5/8" x length Gauge Glass	See right	
9	79E Shield Base Washer	1902751	
10	76-2 Shield Base	1902571	
11	A29AXB-3 Shut-Off Valve	1000792	x
Gauge Washer Kit (Includes 4 cap and 2 base washers)		1000955	

x: Optional

Basic 3/4" Gauge Shield Assemblies*

A78-4"	1014197
A78-7"	1000849
A78-8"	1000854
A78-9"	1000868
A78-10"	1000875
A78-10-3/4"	1000882

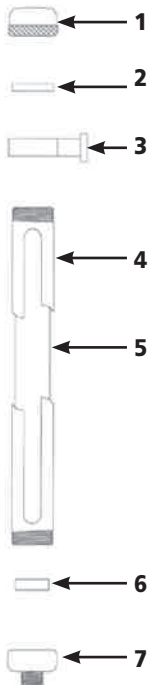
3/4" Gauge Shield Replacements*

78-4"	1914198
78-7"	1913954
78-8"	1913056
78-9"	1913057
78-10"	1913928
78-10-3/4"	1902667

5/8" Gauge Glass Replacements* (For 3/4" Gauge Shields)

81-5/8 x 4"	1902778
81-5/8 x 7"	1902783
81-5/8 x 8"	1902785
81-5/8 x 9"	1902787
81-5/8 x 10"	1902790
81-5/8 x 10-3/4"	1902794

* Additional lengths available



MS Series

Replacement Parts			
1	77-6 Shield Cap	1902584	
2	80M-1 Upper Washer	1902757	
3	4NY-5 Brace	1902003	x
4	78M Gauge Shield	See below	
5	81M Gauge Glass	See below	
6	79M1 Lower Washer	1902755	
7	76-8 Shield Base	1902573	

x: Optional

For MS and MSP Faucets 78M x 5/8" O.D. Gauge Shield*

4"	1902595
8"	1902608
10"	1902616
11"	1914134

81M x 1/2" O.D. Glass* (For 5/8" Gauge Shields)

4"	1902760
8"	1902765
10"	1902768
11"	1902769

* Additional lengths available

The Pro-Flo™ product line consists of high-quality, lead-free brass and stainless steel water dispensing components for the OEM market. These include bubblers, projector heads, self-contained cartridges, cartridge holders/regulators, RO faucets, point-of-use faucets, fountain glass fillers, and kitchen and drinking faucets. Pro-Flo products are NSF listed to NSF/ANSI Standards 61-9 & 372.



Bubblers

Lead-free bubblers with easily replaceable self-contained 7701PFLF cartridge regulator. Has 3/8" NPS female connection. Threaded studs and mounting hardware available. Adjustable controlled stream meets conservation criteria. Pressure rating is 120 PSI/8 BAR.



Model #	Description
1016448	7800PFLF Bubbler, stainless steel
1016128	7800PFLFB Bubbler, lead-free brass
1016452	7800PFLFS Bubbler, stainless steel satin finish
1016453	7800PFLFBVP Bubbler, vandal resistant



Projector Heads

Chrome-plated, lead-free brass projector heads with removable spout, stream director and screen. Has 3/8" NPS female connection. Available with set screw for protection from vandals.



Model #	Description
1016170	7-312LFB Projector Head
1016454	7-312LFB S Projector Head with set screw



Cartridges

Allows trajectory adjustment over wide range of pressures. Fits all brands of coolers. Stainless steel housing with plastic cover and rubber gasket included. Pressure rating is 120 PSI/8 BAR.



Model #	Description
1016337	7701PF5BLF Cartridge, stainless steel with brass cover
1017157	7701PFLF Cartridge, stainless steel with plastic cover
1416355	7701PBW Cartridge for cooler, no spring, stainless steel



Cartridge Holders/Regulators

Has 1/4" NPT female connection. Contains 7701PFLF cartridge. Also available with 5/16" diameter connections for brazing. Pressure rating is 120 PSI/8 BAR.



Model #	Description
1016172	7-927LFB Cartridge Holder/Regulator, lead-free brass, solder in
1016171	7-925LFB Cartridge Holder/Regulator, lead-free brass, threaded with 1/4" NPT female threads

Designer, Contemporary & Vintage RO Faucets

Made of high-quality lead-free brass, our Designer and Contemporary RO Faucets are a real standout. These faucets feature a smooth-operating ceramic disk element, lever-style handle, high-reach neck design of 12", protective spout tip to prevent after-drip, and a patented modular air gap. The Designer, Contemporary and Vintage RO faucets retrofit most brands and are shipped complete with preinstalled tubing for quick connections. Choose from 10 designer finishes to match virtually any décor! Vintage Faucet available in 5 designer finishes.



Designer RO Faucet



Model #	Description
1019299	Designer RO Faucet, Polished Chrome
1019303	Designer RO Faucet, White
1019305	Designer RO Faucet, Biscuit
1019307	Designer RO Faucet, Black
1019301	Designer RO Faucet, Satin Nickel
1019311	Designer RO Faucet, Antique Bronze
1019444	Designer RO Faucet, Bright Nickel
1019309	Designer RO Faucet, Polished Brass
1020518	Designer RO Faucet, Brushed Stainless
1024293	Designer RO Faucet, Venetian Bronze
1020587	Contemporary RO Faucet, Polished Chrome
1020893	Contemporary RO Faucet, White
1020897	Contemporary RO Faucet, Biscuit
1020894	Contemporary RO Faucet, Black
1020889	Contemporary RO Faucet, Satin Nickel
1020891	Contemporary RO Faucet, Antique Bronze
1020892	Contemporary RO Faucet, Bright Nickel
1020895	Contemporary RO Faucet, Polished Brass
1020896	Contemporary RO Faucet, Brushed Stainless
1024294	Contemporary RO Faucet, Venetian Bronze
1024763	Vintage RO Faucet, Polished Chrome
1024773	Vintage RO Faucet, Satin Nickel
1024801	Vintage RO Faucet, Antique Bronze
1024798	Vintage RO Faucet, Brushed Stainless
1024774	Vintage RO Faucet, Venetian Bronze



Contemporary RO Faucet

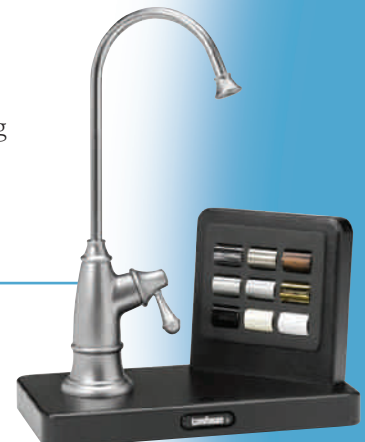


Vintage RO Faucet

Faucet Display Stand

Showcase a Tomlinson Designer or Contemporary RO Faucet along with a color kit featuring all 10 finishes. Display is shipped fully assembled, and each color sample piece is engraved with the finish name. Display stand base measures approximately 10" wide x 5-1/2" deep. Non-skid feet in each corner hold base firmly in place.

Model #	Description
1024293	Designer RO Faucet display stand
1024294	Contemporary RO Faucet display stand





VS603

VS888

VS905



VS713

VS802

VS143

Value RO Faucets

Lead-free ceramic disk faucets available in 6 styles and 2 finishes* offer many options to coordinate with any décor. These faucets feature engineered plastic housing and plastic water passages. Each faucet has 36" preinstalled 1/4" inlet tubing and 3" inlet shank with 7/16"-24 threads. The lead-free gooseneck spout swivels 360 degrees. Polished chrome-plated finish is standard; available in satin nickel in most styles.



Model #	Description	Model #	Description (with air gap)
1022280	VS603 Polished Chrome	1022281	VS603AG Polished Chrome
1022282	VS603 Satin Nickel	1022283	VS603AG Satin Nickel
1022286	VS888 Polished Chrome	1022287	VS888AG Polished Chrome
1022288	VS888 Satin Nickel	1022289	VS888AG Satin Nickel
1022292	VS905 Polished Chrome	1022293	VS905AG Polished Chrome
1022294	VS905 Satin Nickel	1022295	VS905AG Satin Nickel
1022298	VS713 Polished Chrome	1022299	VS713AG Polished Chrome
1022300	VS713 Satin Nickel	1022301	VS713AG Satin Nickel
1022387	VS802 Polished Chrome	1022386	VS802AG Polished Chrome
1024998	VS143 Polished Chrome	1024997	VS143AG Polished Chrome
1025004	VS143 Satin Nickel	1025003	VS143AG Satin Nickel

* VS802 style available in polished chrome only.



PF500SS

PF500C

PF500 Series Point-of-Use Lead-Free Faucets

The PF500 Series are constructed of highly polished, chrome plated lead-free brass or stainless steel with preinstalled 1/4" O.D. plastic tubing. Faucets are available with or without an air gap. Each faucet has a self-closing handle and long reach spout. Faucets are individually poly-bagged with mounting hardware. Air gap version has connections for 1/4" inlet and 3/8" outlet. Pressure rating is 120 PSI/8 BAR. Optional 8" or 5" vertical gooseneck available. PF500C has smooth-operating ceramic disk cartridge.



Model #	Description
1420996	PF500SS Faucet
1420997	PF500SSAG Faucet with air gap
1420454	PF500LFBR Faucet
1420456	PF500LFBRAG Faucet with air gap
1024151	PF500C Faucet
1024152	PF500CAG Faucet with air gap

Fountain Glass Fillers

Fountain glass fillers are constructed of lead-free brass, are lever actuated and have a 3/8" NPS connection. Available with 5" or 8" spout and handle options. Lever-actuated vertical-mount glass filler is also available with 3/8" NPS female connection. Pressure rating is 120 PSI/8 BAR.



Model #	Description
1016166	P200-2LF Glass Filler, 5" spout
1016165	P200-1LF Glass Filler, 8" spout
1016174	V216 Glass Filler, Cup Trip, vertical mount
1016701	7-906-1 Glass Filler, 3/8" NPS, vertical mount

MAINTENANCE & REPLACEMENT PARTS

Brushes

Brushes of various shapes and sizes to help you clean and maintain your beverage and coffee-brewing equipment.

Model #	Description	Ship Wt. lbs./kgs.
1912501	Coffee decanter brush	3/1
1912500	Spiral wound urn brush	6/3
1912502	Bent urn brush	6/3
1912503	Straight urn brush	7/3
1912506*	1/2" gauge glass brush (24" long)	1/5
1912513*	5/8" gauge glass brush (12" long)	1/5
1912514*	5/8" gauge glass brush (16" long)	1/5
1912515*	5/8" gauge glass brush (24" long)	1/5

*Custom lengths available. Contact factory for availability.

All brushes priced and shipped by the dozen only.



Gauge Glass

Standard replacement gauge glass for all coffee brewers and urns. Available in 1/2" O.D. and 5/8" O.D. Additional lengths available, contact factory. Ship weight per dozen is approximately 3 lbs. (1 kg.).

Model #	Description	Model #	Description
1/2" Gauge Glass			
1912534	4-9/16" long	1912528	16" long
1912526	12" long	1912529	18" long
5/8" Gauge Glass			
1913384	5" long	1912541	10-1/2" long
1912562	6" long	1912539	10-3/4" long
1912565	7" long	1912543	11" long
1912568	8" long	1912544	12" long
1912569	8-1/2" long	1913385	13" long
1912570	9" long	1912545	14" long
1912571	9-1/2" long	1912547	15" long
1912540	10" long		

All gauge glass priced and shipped by the dozen only.



1/4" Water Strainer

Water strainer with 1/4" flare connection on both ends. Maximum pressure rated at 350 PSIG. Complete with O-ring and stainless steel replaceable screen.



Model #	Description	Case Qty.	Ship Wt. lbs./kgs.
1014863	1/4" water strainer	1	1/5
1915499	Replacement screen (149 micron)	1	.5/2
1903319	Replacement O-ring	1	.5/2



MAINTENANCE & REPLACEMENT PARTS



Hanging Sign With Chain

Laminate sign with solid brass chain. Overall size is 1" x 4" (25 x 102 mm). Sold individually. Various colors, sizes and customized signs are available. Signs can be supplied with double-sided tape in lieu of chain.

Model #	Description	Ship Wt. lbs./kgs.
1912595	COFFEE	1/5
1912598	DECAFFEINATED COFFEE	1/5
1912606	HOT WATER	1/5
1912599	DO NOT USE	1/5
1912587	REGULAR	1/5

Coffee & Beverage Equipment Cleaners

Specially formulated cleaners remove the oil residues and mineral deposits of coffee brewing.



Model #	Description	Case Qty.	Ship Wt. lbs./kgs.
1912692	Urnex urn cleaner	100 packets	7/3

Accessories

Standard accessories for maintaining and repairing beverage and coffee-brewing equipment.



Model #	Description	Case Qty.	Ship Wt. lbs./kgs.
1013089	3/8" Marshall dial urn thermometer	1	.2/1
1912699	Pocket thermometer with case	1	.07/.03
1013133	Repair kit for new style S Series	1	.5/.2
1013134	Repair kit for old style S Series	1	.5/.2
1912725	Gallon measure – stainless steel	1	1/5
1912576	Gauge glass cutter – V style	1	1/5

Check our website
for new product
announcements
and innovations.

www.tomlinsonind.com

Tomlinson Industries is
a recipient of the
President's E-Star Award
for exporting excellence.



Most Tomlinson products
have been certified by
NSF International.



PHS/FDA

These faucets have been found to be in compliance with the United States
Public Health Service - Food and Drug Administration construction
requirements for Interstate Carrier use and the Food and Drug
Administration Food Service Sanitation Ordinance, 1976 Recommendations.

LIMITED ONE-YEAR WARRANTY

We guarantee to the original purchaser of each Tomlinson product that any part thereof which proves to be defective in material or workmanship within one year of the date of shipment will be repaired or a replacement part furnished F.O.B. our factory.

Warranty will not apply if our examination shows product to be defective as the result of negligence, abuse, misapplication or alteration by other than ourselves.

Tomlinson will not be responsible for unauthorized field service. Contact factory for instructions.

TERMS: Net 30 days, F.O.B. plant, Cleveland, Ohio U.S.A. Minimum order requirement is \$100.00 net.

RETURNS: Return of merchandise requires an RMA number. Authorized returns are subject to handling and re-stocking charges of 15%. Items returned to factory must have transportation charges prepaid. Custom items are not returnable.

FOR RESALE ONLY: Prices and specifications subject to change without notice. We reserve the right to correct printing errors.



13700 Broadway
Cleveland, OH 44125-1992
Phone: 216-587-3400
FAX: 216-587-6192

www.tomlinsonind.com

World Class, Worldwide